



Adam Tas Corridor Energy

Wall-mounted cable tray bracket installation





Overview

At SV Electricals, we have crafted this guide to show you how to install cable tray on wall step by step. Welcome to our comprehensive guide on installing wall brackets for different types of cable trays and cable ladders! In this video, we will walk you through the installation process for four different types of wall brackets, specifically designed for cable trays, mesh cable trays, and cable. Cable ladder systems and cable tray systems shall be manufactured in accordance with BS EN 61537, channel support. Wire mesh basket trays are an excellent option for a flexible and efficient cable management system.



Wall-mounted cable tray bracket installation

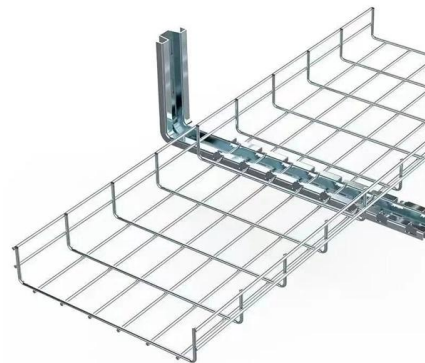


CABLE TRAY SYSTEMS GUIDE

FEATURES Supports horizontal/vertical and overhead cable management Durable black or gray powder coat finish Supports UTP or fiber cabling Complete family of accessories includes: wall supports and

How To Install Cable Tray On Wall: A Step-By-Step Guide

Learn how to install a cable tray on a wall with this comprehensive guide. Step-by-step instructions, tools needed, and safety tips included.



Guide to cable support systems

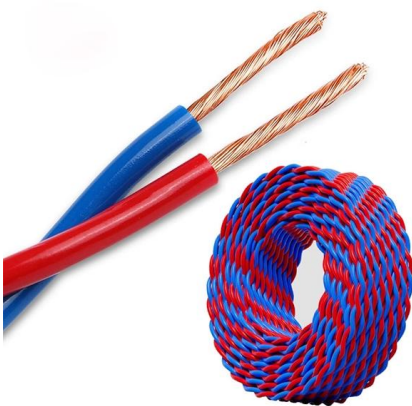
Universal systems for cable support structures are used for small loads. The systems are suspended from the ceiling with threaded rods, stand-off brackets allow raised floor mounting of cable trays,

Cable Tray Installation Guidelines , PDF , Galvanization

This document provides details on installing cable trays and their support systems. It includes



diagrams showing how to mount cable trays on walls using pre



Best Fixing and Mounting Options for Cable Trays , CMW

The best installation method depends on your space and needs, but wall-mounted brackets or ceiling suspensions are both solid options. Ceiling suspension is ideal for larger areas,

Cable Tray Installation Accessories

This article will delve into the various auxiliary materials and accessories essential for effective cable tray installation, drawing insights from



How To: Install Wall Brackets for Cable Trays and Ladders , Step-by

Welcome to our comprehensive guide on installing wall brackets for different types of cable trays and cable ladders! In this video, we will walk you through the installation process for four



Cablofil 316L Stainless Steel Wire Cable Tray Cantilever Arm Fixing

316L stainless steel cantilever arm fixing bracket for wall mounted wire cable trays. Delivers high corrosion resistance and durable support in demanding installations.



Best Practice Guide to Cable Ladder and Cable Tray Systems

This publication is intended as a practical guide for the proper and safe* installation of cable ladder systems, cable tray systems, channel support systems and associated supports.

Server Racks, Cabinets & Mounts , NavePoint

Shop server racks, wall mount cabinets & network enclosures from NavePoint. Free same-day shipping. Performance, Pro & Commercial Series. Est. 2008



Cablofil CSNC200GS Pre-Galvanised Steel 200mm C-Shape Bracket

C-shape bracket for wall and ceiling support of 200 mm wire cable trays. Screwable tray mounting enables secure installation. Pre-galvanised steel provides corrosion resistance with 800 N load



Cablofil CSNC150GC Hot Dip Galvanised Steel 150mm C-Shape Bracket

C-shape bracket for wall and ceiling support of 150 mm wire cable trays. Screwable tray mounting enables secure installation. Hot dip galvanised steel provides high corrosion resistance with 100 dN



How to install a cable tray and wire mesh tray to a wall?

00:00 Cable tray Wall support YPK is used to attach cable ladders to walls from above. Cable trays are attached to wall support YPK with M6x30

Cable Tray and Reels , Wire and Cable Management

Fast installation with dependable support. Everything you need to build a cable management system, including Cablofil wire mesh cable tray, ladder cable tray,





Cable Tray Installation

Learn everything about cable tray installation with our complete guide. Discover types, steps, and safety tips for efficient electrical cable management.

Mastering Cable Tray Installation , Step-by-Step Guide for a Seamless

Learn how to install cable trays correctly. Get the ultimate step-by-step guide on setting up a seamless and reliable cable management system.



Cable Tray Installation

Whether you're building a commercial setup or upgrading an industrial plant, proper cable tray installation ensures neat wiring, safe access, and easy maintenance. But before you lay the first tray

Cablofil CU400GC Hot Dip Galvanised Steel 400mm Cantilever Bracket

Hot dip galvanised 400 mm cantilever bracket for wall-mounted cable tray and ladder support. Suitable for 100-400 mm trays and rated to 1050 N for demanding industrial installations.



Cablofil C41S500GC Hot Dip Galvanised Steel 500mm Strut Wall Bracket

Hot dip galvanised wall bracket for wall mounted support of 100 to 500 mm cable trays. Designed for heavy duty installations with a 2700 N safe working load.

How to Install Cable Tray: A Comprehensive Guide to Different Cable

Welcome to our step-by-step guide on installing cable trays! In this video, we'll explore the different types of cable trays available and provide detailed instructions for their installation.



SC connector  X 12

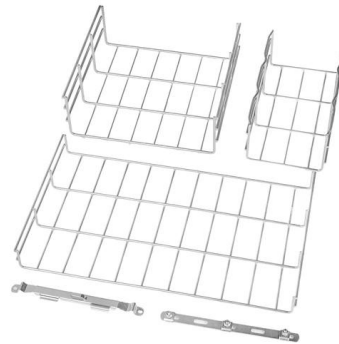
How To: Install Wall Brackets for Cable Trays and

Welcome to our comprehensive guide on installing wall brackets for different types of cable trays and cable ladders! In this video, we will walk you



Cable Tray Systems

CT Cable Tray 75-600mm width, 20mm side wall, 2.4m lengths, perforated bottom High Sided CT Cable Tray Multiple width, height and profile combinations, 3m heavy duty lengths Tray Covers Flat,



Master Your Cable Tray Installation with These

Tired of struggling with cable tray installations? At Direct Channel we have the perfect range of brackets and supports to make things much easier. From wall to



CABLE TRAY L WALL BRACKET

Quest L brackets are ideal for mounting cable trays on the wall.



How to Install Wire Mesh Cable Trays , Madewithless

Wire Mesh Cable Tray Installation Guide , Step-by-Step Tutorial Welcome to our wire mesh cable tray installation tutorial! In this video, we'll walk you through the entire



How To Use Cable Tray Architecture To Finish A Wall?

This guide provides step-by-step instructions on installing a cable tray on a wall, covering different types of cable trays, tools needed, and safety tips.



How to install a cable tray to a wall?

Supports RVK are placed inside of cable trays that allows a good-looking installation at places where the design is important. When installing, the edge of the cable tray





Zebra Rack/Wall Mounting Bracket BRKT-SCRD-SMRK-01

A rack/wall mounting bracket. For one five-slot ShareCradle, up to four single-slot ShareCradles, or up to four 4-slot battery chargers. It can be mounted on standard 19 network rack or on a wall. Includes



Contact Us

For datasheets, pricing, or custom telecom energy solutions, please visit:
<https://koskolong.co.za>