



Adam Tas Corridor Energy

Warranty for SFP optical modules NRZ

Mesh door/glass door optional



Sp-601 glass door

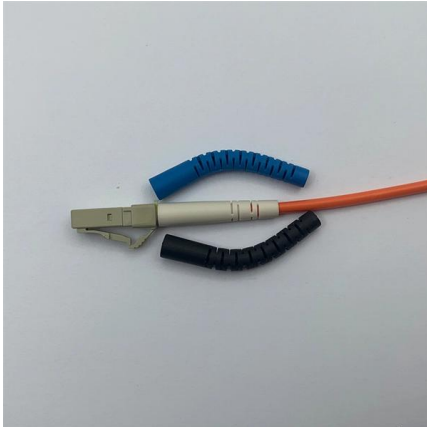


Sp-602 mesh door





Warranty for SFP optical modules NRZ

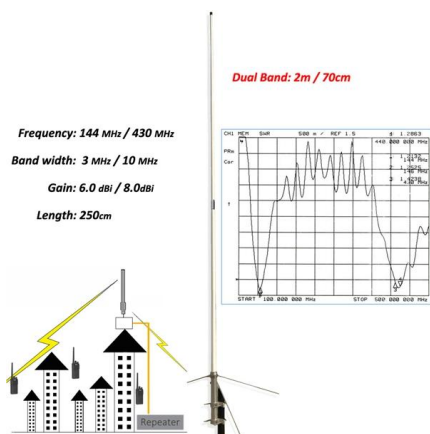
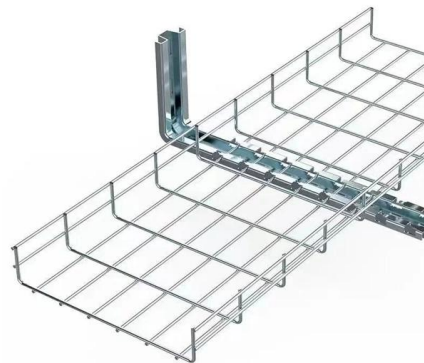


OFC 2024 NEC Optical Modules

Optical interface Wavelength Electrical interface SFP28, Duplex 9.95-11.3Gb/s 10Gbaud, NRZ C-band, 50 channel, 100GHz grid 10GAUI, NRZ Reach 80km Power consumption 2.5W (E-Temp) Operating

100G QSFP28 / SFP-DD Modules and Cables FAQ , FS

If you already own an FS 100G optical transceiver module, it comes with the same 5-year warranty as top brands, along with a 30-day return and exchange policy, ensuring you the most reliable after



Ultimate Guide to Ethernet Transceivers

A comprehensive guide to Ethernet transceivers, covering form factors, transmission distance, data rate evolution, and how to choose the right module for your network.

Single-Lambda 100G Pluggable Optics Solution

With fewer components in the pluggable module, we can scale manufacturing volume and cost to



the level of today's 10G SFP+ optics. Through



SFP, Transmission Standard

FQSFP-DD features 8 bidirectional channels with data rates of 200Gb/s NRZ (400 Gb/s PAM4). Additionally, QSFP-DD provides backwards compatibility with all

50GBASE-SR SFP56 850nm 100m Transceiver Datasheet , FS

The 50G SR short-wavelength transceiver is designed for use in 25.78G NRZ and 53.125Gb/s PAM4 data rate over multimode fiber. The transceiver is compliant with SFF-8402, and the mechanical



Arista Transceiver Compatibility and interoperability Cable Guide

The Arista pluggables and cables include a one-year limited hardware warranty, which covers parts, repair, or replacement with a 10 business day turn-around after the unit is received.





Arista Transceiver Compatibility and interoperability Cable Guide

Overview Arista optical transceivers and cables offer deployment flexibility and cost optimized network connectivity. Arista transceivers and cables are all hot-swappable pluggable devices, compliant with

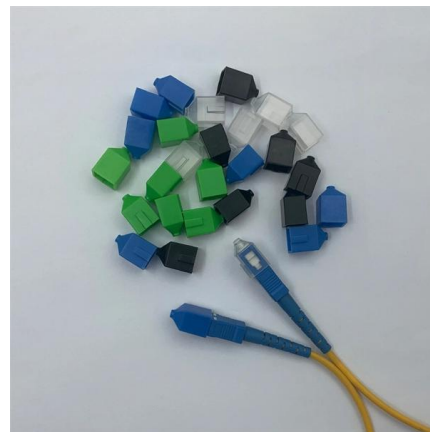


100G QSFP28 / SFP-DD Modules and Cables FAQ , FS

The 100G-DR/FR/LR modules include a gearbox chip that converts 4 x 25G NRZ electrical signals into a 1 x 100G PAM-4 optical signal. This contrasts with traditional QSFP100 modules (e.g., CWDM4 or

Mastering NRZ in Optical Communications

Explore the fundamentals and applications of NRZ encoding in modern optical communication systems, including its advantages and limitations.



Complete Guide to Pluggable Optical Transceivers -

Complete Guide to Pluggable Optical Transceivers Fundamentals & Core Concepts
What are Pluggable Optical Transceivers?
Pluggable optical



SFP-10G-ZR Compatible Transceiver - Unoptix

Unoptix test facility comprises of a broad selection of original brand network equipments. Our skilled staff help our customers to make the most out of the



100GBASE-ZR4 QSFP28 4 x 25G NRZ 1310nm 80km

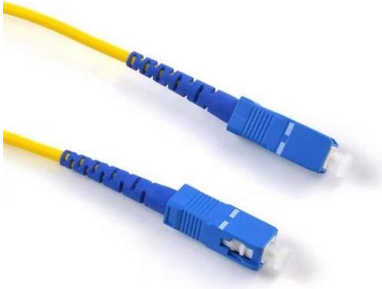
100GBASE-ZR4 QSFP28 Optical Transceiver Module (SMF, 1310nm, 80km, LC, DOM) The QSFP28 optical transceiver module is designed for use in 100GBASE

NETGEAR Compatible 100GBASE-SL4 QSFP28 4 x

Search now NETGEAR Compatible 100GBASE-SL4 QSFP28 Optical Transceiver Module (MMF, 850nm, 30m, MTP/MPO, DOM) The NETGEAR Compatible

Motor protection controller





200g qsf56 Optical Transceiver Overview

The 200G QSFP56 transceiver is a hot-pluggable optical module that supports data transmission at up to 200 Gbps. It is designed as a small form

Arista Transceiver and Cable Guide

Arista optical transceivers and cables offer deployment flexibility and cost optimized network connectivity. Arista transceivers and cables are all hot-swappable pluggable devices, compliant with



SFP Module 10G SFP Optical Transceiver GPON PON Fiber Copper

Key attributes Type SFP Module Use FTTX Network Wireless Lan, 5G, Bluetooth, Wired LAN Model Number SFP 1.25G Brand Name Unionfiber Place of Origin Guangdong, China Warranty Time 3

SFP56 Transceivers Ideal for 50G with NRZ Backwards Compatibility

Discover OEM-compatible 50G SFP56 transceivers with NRZ backward compatibility. Ideal for Cisco networks, these optics support cost-effective 10G/25G to 50G upgrades with short



Cisco 50GBASE SFP56 Modules Data Sheet

The Cisco® 50GBASE SFP56 (Small Form-Factor Pluggable) portfolio offers customers a wide variety of high-density and low-power 50G and

The Ultimate Guide to SFP Modules (2026): Types, Speeds

SFP (Small Form-factor Pluggable) is a compact, hot-pluggable network interface module used to connect network devices (switches, routers, firewalls) to fiber optic or copper cables.



100GBASE-ZR4 QSFP28 4 x 25G NRZ 1310nm 80km

Search now 100GBASE-ZR4 QSFP28 Optical Transceiver Module (SMF, 1310nm, 80km, LC, DOM) The QSFP28 optical transceiver module is designed for use in



Dell networking transceivers and cables

The adapter supports standard SFP and SFP+ optics in a QSFP+ socket providing backwards compatibility, while the 40GbE port for future bandwidth expansion. Dell networking transceivers and



64GFC for Single-Mode Optical Fiber Digital Diagnostic SFP AFCT

The product is compliant with Small Form Pluggable SFP+ industry agreements for mechanical and low-speed electrical specifications. High-speed electrical and optical specifications are compliant with



Warranty Update on Cisco Pluggable Modules Product Bulletin

Effective September 7, 2020, Cisco is offering a 5-year limited hardware warranty on Cisco® pluggable modules of SFPFE, SFPOCX, SFPGE, SFP10G, X2, SFP25G, QSFP40G, QSFP100, and QDD400G



How to Choose 10G SFP+ Modules & Suppliers: An ISP Buyer's Guide

void costly network mistakes. Learn our 6-step checklist for choosing the right 10G SFP+ modules (SR, LR, DAC) and finding a reliable supplier for your ISP or Data Center.



Cisco QSFP-100G-DR-S Compatible 100GBASE-DR

Cisco QSFP-100G-DR-S Compatible 100GBASE-DR QSFP28 Single Lambda 4 x 25G NRZ 1310nm 500m DOM Duplex LC/UPC SMF Optical Transceiver Module

Netgear Compatible 100GBASE-LX4 QSFP28 4 x 25G NRZ 1310nm

Netgear Compatible 100GBASE-LX4 QSFP28 Optical Transceiver Module (SMF/MMF, 1310nm, 2km/100m, LC, DOM) The 100GBASE-LX4 module supports link lengths of up to 2km over SMF and





HPE Aruba JL309A Compatible 100GBASE-SR4

HPE Aruba JL309A Compatible 100GBASE-SR4 QSFP28 Optical Transceiver Module (MMF, 850nm, 100m, MTP/MPO, DOM) The HPE Aruba JL309A

Contact Us

For datasheets, pricing, or custom telecom energy solutions, please visit:
<https://koskolong.co.za>