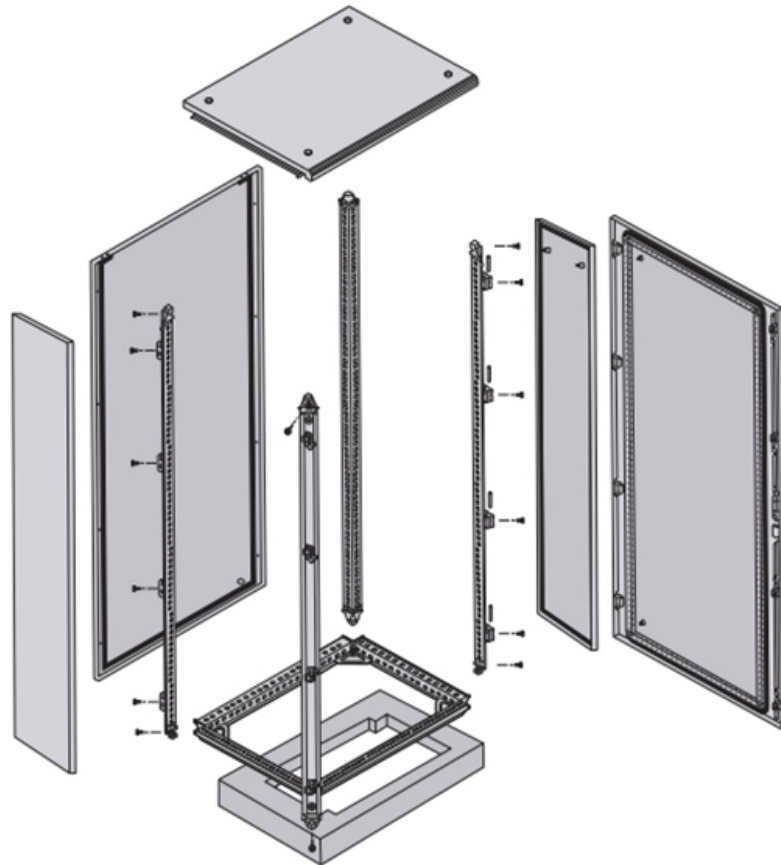




Adam Tas Corridor Energy

West African Fiber Optic Sensors





Overview

This list was initially developed as part of AfTerFibre, a project to map terrestrial fibre optic cable projects in Africa. The project was sponsored by Google Africa and, on completion, will be hosted by the UbuntuNet Alliance. All information gathered by the project will be publicly available under an open license.



West African Fiber Optic Sensors



Fibre-optic cables across five West African countries

Group Vivendi Africa is planning to deploy 5,000 km of fibre-optic cables across five West African countries (Benin, Togo, Niger, Burkina Faso and Ivory Coast). The plans are linked to a

Fiber Optic Sensing , NetworkSense Africa

Our system transforms fiber optic cables into highly sensitive, tamper-proof sensors capable of detecting movement and disturbances in real time. With extensive



Maroc Telecom invests 150 million euros in West African subsea fibre

Itissalat Al Maghrib (Maroc Telecom) has invested 150 million euros in the construction of a new submarine fibre optic cable. The West Africa cable infrastructure connects the company's subsidiaries

Optical Fiber Sensors and Sensing Networks: Overview

This paper presents a more broad overview, providing the reader with a literature review that



describes the main principles of optical sensing and

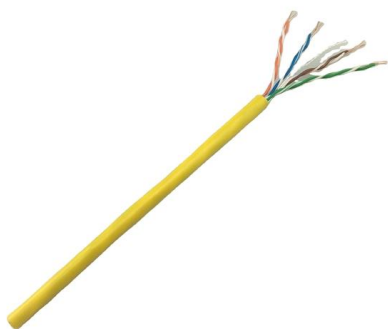
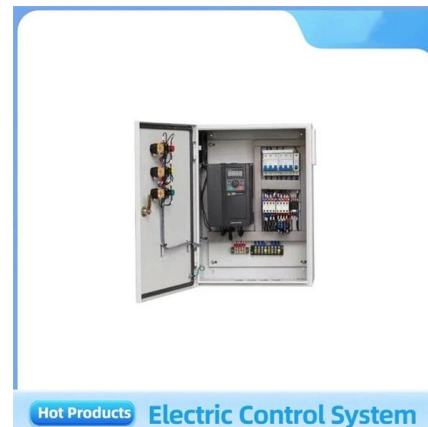


Fiber optic sensors: The game-changer in building smart

Fiber optic sensing (FOS) technology was born in the late 1960s, when the first patent was registered for the use of a photonic sensor to measure

NetworkSense Solutions Africa

Discover how NetworkSense Solutions delivers reliable and cutting-edge fiber optic sensing and security solutions, trusted by businesses, governments, and industry



Liquid Telecom completes East/West pan-African fiber

Liquid Telecom says it has completed construction of a new terrestrial fiber-optic network that links East and West Africa. The final link in the One Africa



Optical Fibre-Based Sensors--An Assessment of

Optical fibre sensors are an essential subset of optical fibre technology, designed specifically for sensing and measuring several physical parameters. These



The Future of African Fiber

The Future of African Fiber report series explores all these questions and more. It is the outcome of a long, arduous and ambitious effort - an attempt to provide an in

Paratus completes East-West Africa fiber optic route

Pan-African telecommunications company Paratus Group has completed its strategic East-West Africa fiber optic route, the first coast-to-coast



Optical Fiber Sensors: Working Principle, Applications,

Brief theory of sensing principle, fabrication method, applications, advantages and disadvantages of the different fiber-optic sensors, are addressed.



Africa Distributed Fiber Optic Sensor Market (2023)

Market Forecast by Countries (South Africa, Nigeria, Kenya, Rest of Africa), By Fiber Type (Single-Mode, Multimode), By Operating Principle (OTDR, OFDR), By Application (Temperature, Acoustic,



Top 10 Global Transformer Fiber Optic Temperature Sensor

This article examines the world's leading transformer fiber optic temperature sensor manufacturers, with particular attention to their suitability for African applications.

Our network , Liquid Intelligent Technologies

Our network A single network like no other. Since putting our first fibre in the ground in 2009, our high-speed cross-border network has grown to over 110,000km of fibre. It is the continent's largest





Western Africa's Optical Fibers and Bundles Market Report 2026

Demand for optical fibers and bundles in Western Africa is fundamentally propelled by the urgent need to build robust digital infrastructure. This driver manifests across several key end

Africa's Fiber Optic Paradox: 77 Submarine Cables Yet Underconnected

Terrestrial Fiber: The Missing Link By 2024, Africa's operational terrestrial fiber stretched about 2.13 million kilometers. Even with all that fiber, the distribution is lopsided--only 30% of



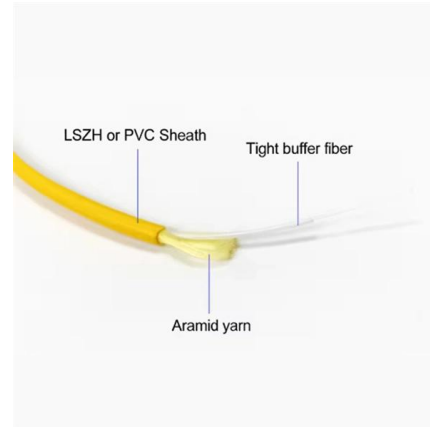
Fiber Optic Sensing , NetworkSense Africa

Explore advanced fiber optic sensing for real-time monitoring, security, and infrastructure protection with our cutting-edge technology.



Empowering Africa: SEACOM Ventures in Fiber Optic

Explore the drive for Fiber Optic Access in Africa as SEACOM extends its reach into expanding networks. Get the full story at Fiberguide for



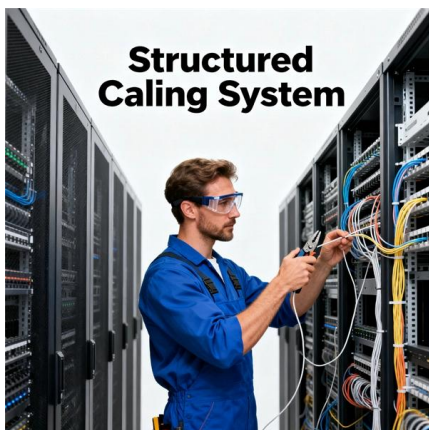
Fiber Optic Energy Storage in West Africa: Powering the Future with

Why West Africa's Energy Crisis Needs a Tech-Savvy Fix You're baking jollof rice for a family feast when--*poof*--the lights go out. Again. For over 200 million people in West Africa, this isn't just a



Undersea cables for Africa's internet retrace history and

These fibre optic cables are used as part of Africa's undersea network. Jess Auerbach, Author provided (no reuse) Basically all internet for



From Fiber to 5G: Mapping Africa's Journey Toward

Across Africa, the pursuit of high-speed internet has become a continental mission, one marked by bold investments, strategic partnerships, and



Orange launches pan-West African fiber network

Orange has announced a massive fiber-optic network in West Africa, called Djoliba, which is a first-of-its-kind pan-West African backbone.



List of terrestrial fibre optic cable projects in Africa

This is a list of terrestrial fibre optic cable projects in Africa. While submarine communications cables are used to connect countries and continents to the Internet, terrestrial fibre optic cables are used to

Fiber Optic Transformer Monitoring: Revolutionary Solutions for African

Among these, only fiber optic sensing systems provide true direct measurement of winding hot spot temperatures, delivering extremely accurate readings when it matters most. FJINNO's fiber optic



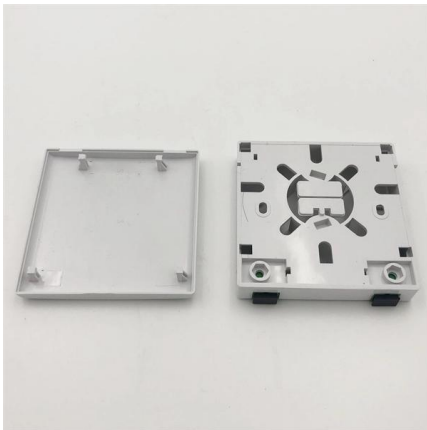
West Africa Cable System

This 4 fiber pair system with total. 18 leading international telecom carriers.



Africa50, Bayobab Partner to Develop Pan-African

Bayobab and Africa50 on Monday signed a partnership to develop Project East2West, a terrestrial fibre optic cable network connecting the eastern



chapter Fibre

Subsea in early August when an incident - reported to As predicted in last year's chapter introduction, be a rockfall off the Congo coast - damaged 2023 has very much been the year of the African the West

Inside Africa's Internet Fiber Optic Cable Success Story

Kenya was the first East African country to welcome its first ever fiber optic cable and unveiled a sixth submarine internet cable that promises to offer





Contact Us

For datasheets, pricing, or custom telecom energy solutions, please visit:
<https://koskolong.co.za>