



Adam Tas Corridor Energy

What are optical fibers and optical fiber communication





What are optical fibers and optical fiber communication

Optical Fiber Communications 101: Key Concepts & Technologies



Optical fiber communications use access lines known as fiber-to-the-home (FTTH), fiber-to-the-premises (FTTP), and fiber-to-the-room (FTTR). These access lines are connected via a network, called a

Polarization-maintaining optical fiber

Optical fiber connectors used for PM fibers are specially keyed so that the two polarization modes are aligned and exit in a specific orientation. Note that a



Polarization Maintaining Fiber (PM Fiber) , OEM Optical

High performance properties of polarization maintaining (PM) fiber include excellent birefringence and low attenuation Field-Proven as the Industry Standard PANDA



What Materials Are Used in Fiber Optic Cables?

Material Variations: Specialized Fibers and Their Applications While silica dominates long-distance



communication, other materials are used in specialized applications. Plastic Optical Fiber



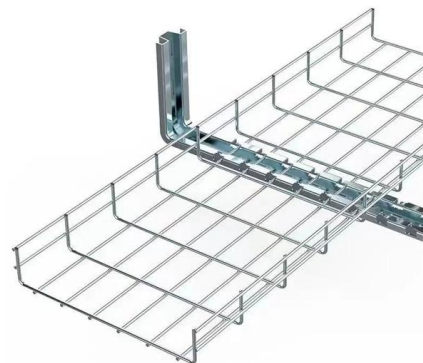
Fiber Optics: Understanding the Basics

Nothing has changed the world of communications as much as the development and implementation of optical fiber. This article provides the basic principles needed



Key Takeaways from the Optical Fiber Communications 2026

The Optical Fiber Communication Conference (OFC) is the largest optical technology conference in the industry. Hosted at the L.A. convention center, filled with 700+ exhibitor booths,



Fiber Optic Cable Types: A Complete Guide

The plethora of fiber optic cable types can seem overwhelming, but choosing the right cable for the job is important. Read on to learn what fiber optic



What Are Fiber Optics Used For Today? Exploring

Fiber optics play a crucial role in today's technology-driven world. They are primarily used for high-speed data transmission in telecommunications.

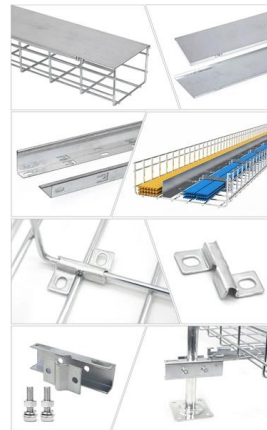


What is Fiber Optic Splitter and Types

What is a Fiber Optic Splitter? Fiber optic splitter is a passive optical device used to distribute optical signals, which can divide input optical signals into

Fiber-Optic Communication

Fiber optic communication is defined as a method of transmitting information using light signals through guided-wave channels, specifically optical fibers, which vary the intensity of optical power to convey



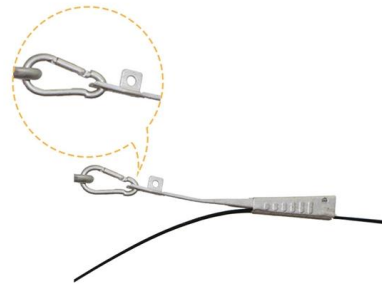
Optical Communications Products

Browse our optical communication connectivity products designed to help you enable your communication networks. Easily create a bill of materials list.



OPTICAL FIBER COMMUNICATION

Various propagation characteristics such as number of propagating modes, rate of data transfer, delay time, impulse response etc of non-uniform core multimode fibers can be calculated.



Single-mode optical fiber

In fiber-optic communication, a single-mode optical fiber, also known as fundamental- or mono-mode, is an optical fiber designed to carry only a single mode of light

Fiber Optic Transceiver: The Simple Guide to What It Is

A fiber optic transceiver converts electrical signals to optical signals (Tx) and back again (Rx). This guide breaks down the complex components





OFC 2026 Exhibit Connects the Global Optical Ecosystem Powering

LOS ANGELES -- Feb. 12, 2026 -- As Artificial Intelligence (AI) and cloud-scale computing drive rising demand for bandwidth and energy efficiency, the 2026 Optical Fiber Communications Conference

Basics of Optical Fibers , Optical Fiber Communications , Cambridge

An optical fiber is the core component of an optical fiber communication link. Popularly known as optical fiber cables, they are the most promising type of guided transmission medium for virtually all forms of

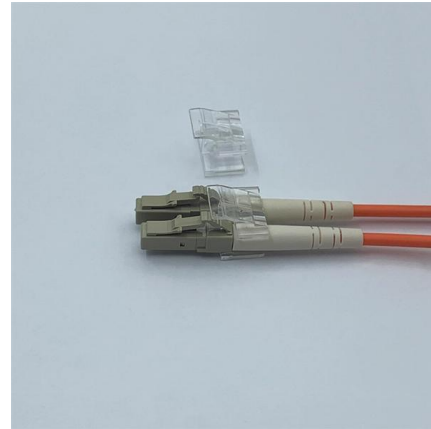


Corning To Launch AI Innovations in Fiber, Cable, and Connectivity at

Corning Incorporated (NYSE: GLW) will showcase new innovations to optimize AI data center networks at the 2026 Optical Fiber Communication Conference and Exhibition.

Fiber Optic Cable Types & What They Are Used For

What are Fiber Optics Cables Used For? Fiber optic cables (also known as optical fiber cable) are network cables that contain many strands of fine



Optical Fiber Communication: The Complete Guide

In this beginner-friendly guide, we'll dive into what optical fiber communication is, how it works, its benefits, and its role in our daily lives. We'll



Optical Fiber Industry Statistics 2026

Our in-depth market data report on Optical Fiber Industry. Explore verified statistics and the latest research.



Fiber-optic Attenuators - fixed or variable attenuation,

Fiber-optic attenuators adjust optical signal power levels, for example in fiber-optic links.





Fiber Optic Terminology & Definitions , Fiber Terms Guide

Fiber Optic Tutorial presented by LANshack . Learn about fiber optic basics, fiber, jargon, cable, termination, network, estimation, testing, training, and glossary.



Fiber-optic Links - broadband fiber channels, optical

Fiber-optic links are optical communication links where the signal light is transported in fibers. Some of them offer enormously high transmission data rates.

ADSS Fiber Optic Cable: What They

Optical Fibers: Fibers (single-mode, e.g., G652D/G657A1, or multimode for short runs) are placed inside the buffer tube with a small "excess length" (typically 0.5-1%). This excess



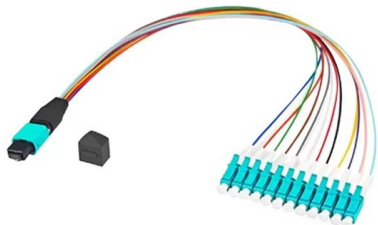
Fiber Optics and Types

Fiber Optics or Optical Fiber is a technology that transmits data as a light pulse along a glass or plastic fiber. An Optical Fiber is a cylindrical fiber of



Optical Fibre Communication: Working Principle,

Fiber-optic communication is a method of transmitting data from one point to another by sending infrared light pulses through an optical fibre. Light



What Optical Cables Are Used for 5G? Your Complete

But behind the scenes, one thing makes it all possible: optical fiber. The reality is clear: When it comes to 5G, more. better, and faster fibers are

BASICS OF OPTICS AND OPTICAL FIBER COMMUNICATION

Optical fibers are widely used in fiber-optic communication, which permits transmission over longer distances and at high data rates than other forms of communications.





Contact Us

For datasheets, pricing, or custom telecom energy solutions, please visit:
<https://koskolong.co.za>