



Adam Tas Corridor Energy

What does SPF mean in optical modules





Overview

An SFP (Small Form-factor Pluggable) is a compact, hot-pluggable transceiver module that allows networking equipment — including switches, routers, servers, and media converters — to support different physical media, such as optical fiber or copper, without replacing the host. This article "SFP Transceivers Explained" is intended to describe all about SFP transceivers in detail that could help network professionals understand about SFP optics and its.



What does SFP mean in optical modules

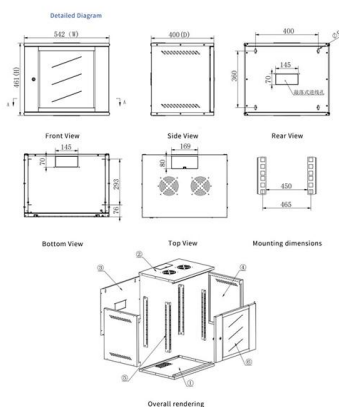
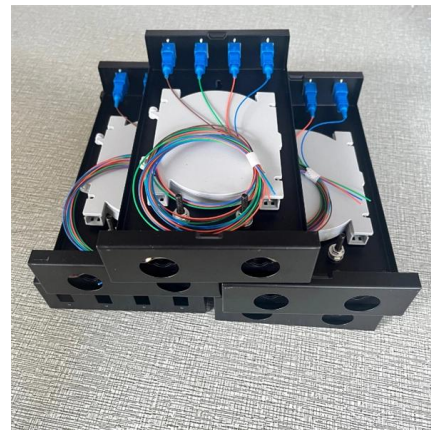


Optical Module Working Principle , SFP Transceiver Technical Guide

Understanding the working principle of optical modules--especially SFP transceivers--is critical for network engineers, data center operators, and telecom professionals tasked with building and

SFP Modules: The Key to Efficient Fiber Optic Connectivity

Explore the world of SFP modules - the compact, flexible, and high-speed solution for data transmission in fiber optic networks.



SFP Fibre Module explained

What Is an SFP Module and How Does It Work? An SFP module (Small Form-factor Pluggable) is a compact, hot-swappable transceiver that connects network

SFP ? , What is SFP? , SFP Types , Small Form-factor

SFP (Small Form-factor Pluggable) is a hot-pluggable network interface module used in the



network devices of today's computer networks.
In



Everything you Need to Know About SFPs

Why use SFP over Fixed Fiber Types? SFP modules are interchangeable fiber optic connections that can be used to suit any fiber installation. SFPs will support



What Is an SFP Optical Module and How to Choose One

An SFP module (Small Form-factor Pluggable) is a compact device used for transmitting and receiving data over fiber-optic connections. It contains electronic



SFP & FIBRE EXPLAINED

SFP TYPES & ADVANTAGES SFP modules play a crucial role in enabling high-speed communication between switches and various network components, including routers and other devices. They are



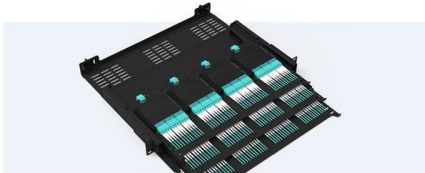
SFP Module: What's It and How to Choose It?

This blog will explore the function of SFP modules, SFP module types, applications and how to choose suitable SFP modules.



Pre-Terminated Patch Panel

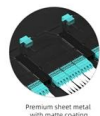
- Standard 19" width
- Max 144 fibers in 1U
- Ultra-High Density Ready



Dual-row, easy install & maintain



Lightweight ABS HPO connector



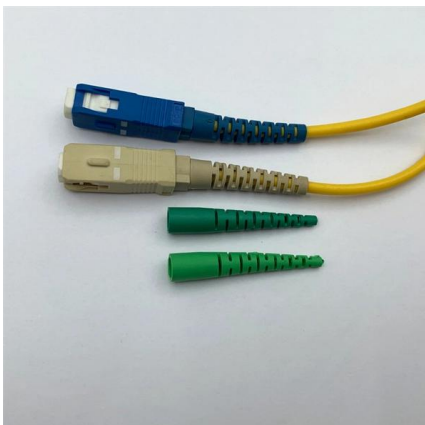
Premium sheet metal with multi-coating

What is an SFP Module and How Does it Power Your

What is an SFP Module An SFP (Small Form-factor Pluggable) module is a compact, hot-pluggable optical transceiver used in network

Small Form-factor Pluggable

Small Form-factor Pluggable Small Form-factor Pluggable connected to a pair of fiber-optic cables Small Form-factor Pluggable (SFP) is a compact, hot-pluggable



SFPs 101: Fundamentals of Fiber Optic or Copper SFP

SFPs 101: Fundamentals of SFP Transceivers Anyone can get confused, trying to understand the abilities of SFPs entirely. It can even prove



SFP ? , What is SFP? , SPF Types , Small Form-factor

SFP (Small Form-factor Pluggable) is a hot-pluggable network interface module used in the network devices of today's computer networks.



What is the SFP Module? 2024 Best SFP Transceiver

An SFP module is a small form factor pluggable optical transceiver that fits into the SFP port of the networking switch or other device. Sometimes, It is also known as

What is SFP Module and How to Choose it?

The unique design of the SFP module ensures stable operation in extreme environmental conditions such as high temperature, humidity and

- ✓ Slow Axis Aligned (0°) - for standard sensing applications
- ✓ Fast Axis Aligned (90°) - for special modulation applications
- ✓ 45° Axis Aligned - for depolarizer applications



SFP Transceivers Explained

SFP stands for "small form-factor pluggable" and transceiver means a device that can both transmit and receive data. This article "SFP Transceivers



Understanding Single-mode and Multi-mode SFP

A: SFP single-mode optical modules and SFP multi-mode optical modules are incompatible. If you mix SFP single-mode optical modules and SFP multi-mode



Sun Protection Factor (SPF) , FDA

This page describes how the FDA determines and evaluates sun protection factor in over-the-counter sunscreen products and the science behind this evaluation.



What Is an SFP Module? -- Complete Guide to SFP, SFP+ & SFP28

An SFP (Small Form-factor Pluggable) is a compact, hot-pluggable transceiver module that allows networking equipment -- including switches, routers, servers, and media converters -- to support



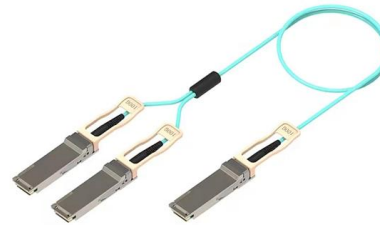


What is SFP SPF+ SFP28 QSFP?everything is here

SFP, or Small Form Factor Pluggable Transceiver, is a compact, hot-swappable network module. From data centers to home networks, from large

Transceivers Explained: SFP vs SFP+ vs SFP28 vs QSFP+ vs QSFP28

In this guide, we break down the differences between these modules and help you make the best decision for your infrastructure--whether you're upgrading a legacy system, increasing the



Understanding Fiber Optics - Your Quick Guide to SFP

Understanding Fiber Optics - Your Quick Guide to SFP Transceivers What is an SFP Transceiver? SFP (small form-factor pluggable) is a compact, hot-pluggable

Transceivers Explained: SFP vs SFP+ vs SFP28 vs QSFP+ vs QSFP28

SFP (Small Form-factor Pluggable) Transceivers - as a concept, are modules that are compact, hot-swappable pluggables used for both telecommunication and data communications



Transceiver Form Factors: SFP, QSFP, CFP & Beyond

A form factor is an engineering term that defines and describes the characteristics of a class of optical transceivers, with particular reference to data



What is SFP+ Module? An Ultimate Guide (2024)

The SFP+ module is also called the SFP+ transceiver, SFP+ optical module, SFP+ optics, or SFP+ fiber transceiver. Although they have several



The Meaning of LC in SFP Optical Modules

What are the Optical Module Interfaces? Optical module interfaces are critical components in the fiber optic communication infrastructure, facilitating the





The Ultimate Guide to SFP Modules (2026): Types,

SFP (Small Form-factor Pluggable) is a compact, hot-pluggable network interface module used to connect network devices (switches, routers, firewalls) to fiber



What Does the SPF Number Mean?

SPF refers to the amount of UV radiation it takes to produce sunburn when wearing sunscreen in comparison to how much UV exposure it takes for

What Is an SFP Optic Module and How Does It Work

A small form-factor pluggable, or SFP optic module, helps connect network devices fast. You can use an SFP optic module to turn electrical signals



Contact Us

For datasheets, pricing, or custom telecom energy solutions, please visit:
<https://koskolong.co.za>