



Adam Tas Corridor Energy

What does fiber optic communication technology do





What does fiber optic communication technology do



Fiber-optic cable

A fiber-optic cable, also known as an optical-fiber cable, is an assembly similar to an electrical cable but containing one or more optical fibers that are used to carry

What Is Fiber Optics? A Guide

Fiber optics is a technology that sends data as pulses of light through strands of glass. This method allows high-speed data transmission over long



Light Reading

Light Reading is the leading source of news analysis for communications industry professionals.

Fiber optic drone

Fiber optic drone Ukrainian FPV drone unspooling the fiber optic cable. Ukrainian FPV drone with fiber-optic communication channel A fiber optic



drone is an unmanned aerial vehicle (UAV), usually a first



Understanding dB and dBm in Fiber Optic Communications

Understanding dB and dBm is essential for professionals working in fiber optic communications. These units provide valuable insights into signal

Erbium-doped Fiber Amplifiers - EDFA, optical fiber

Erbium-doped fiber amplifiers use erbium-doped fibers. They typically operate in the 1.5- μ m spectral region and are most frequently used for telecom systems.



What Is Optical Fiber Technology, and How Does It Work?

Here we describe the basics about fiber optic technology, how to work with it, as well as its purpose, features, benefits, and what fiber optics are used for today.





Nvidia, Corning partner on three new optical factories NC, Texas

Corning is opening three new advanced manufacturing plants in the U.S. dedicated entirely to optical technologies for Nvidia.



What is fiber optic communication?

Fiber optic communication is the transmission of information using light signals through optical fibers. By utilizing total internal reflection, optical fibers provide high-speed, low-loss, and

Understanding Fiber Optic Communication System: Working,

Fiber optic communication refers to a method of transmitting data that utilizes light instead of electrical signals to send information through optical fibers. It works on the principle of total internal



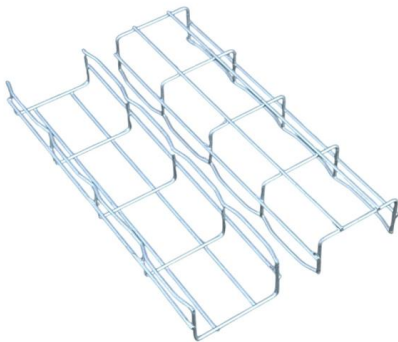
Fiber optics , Definition, Inventors, & Facts , Britannica

Fiber optics, the science of transmitting data, voice, and images by the passage of light through thin, transparent fibers. In telecommunications, fiber optic technology is used to link computers within local



What Is Fiber Optics? Definition from SearchNetworking

What is fiber optics? Fiber optics, or optical fiber, refers to the technology that transmits information as light pulses along a glass or plastic fiber.



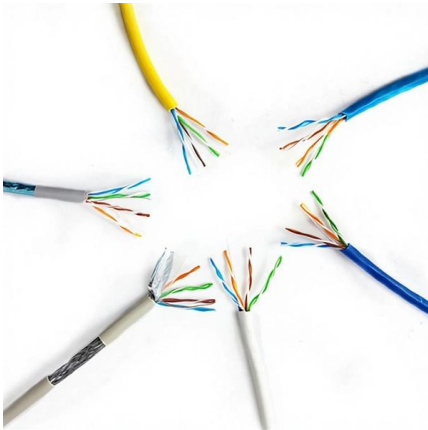
The FOA Reference For Fiber Optics

Optical Fiber Fiber Optics is the communications medium that works by sending optical signals down hair-thin strands of extremely pure glass or plastic fiber. The

Global Leader in Materials, Networking, and Lasers

Learn how Coherent empowers innovations and breakthrough technologies for the industrial, communications, electronics, and instrumentation markets.





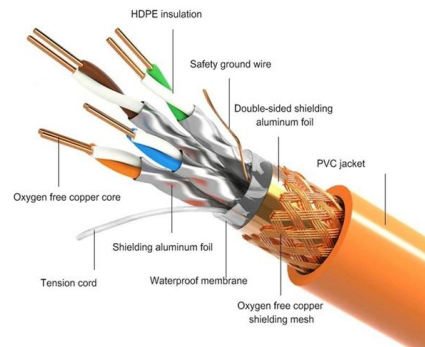
Fiber-Optic Communication

Fiber optic communication (FOC) is defined as a communication infrastructure that utilizes optical fibers to provide reliable data transmission with strict Quality of Service and nearly unlimited bandwidth,

The FOA Reference For Fiber Optics

Fiber Optic Network Design Jump To: The Communications System Cabling Design Choosing Transmission Equipment Planning The Route Choosing Components

PRODUCT DETAILS



Fiber optics , Definition, Inventors, & Facts , Britannica

Fiber optics, the science of transmitting data, voice, and images by the passage of light through thin, transparent fibers. In telecommunications, fiber optic

Fiber Optic Communications: Components and Applications

Fiber optic communications is the high-speed highway of modern data, using light to zip information through thin glass strands at blazing speeds. It's the backbone of the internet, telephone networks,



What is Ethernet?

Your All-in-One Learning Portal: GeeksforGeeks is a comprehensive educational platform that empowers learners across domains-spanning computer

Optical networks

An optical transport network is a high-speed communication system that sends light signals over fiber-optic cables to move large amounts of data across long



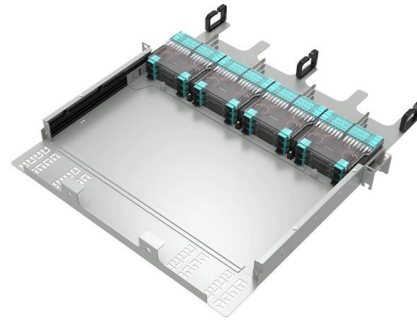
How does fiber optics work?

Fiber-optic cables carry information between two places using entirely optical (light-based) technology. Suppose you wanted to send information from



Optical Fiber Communications 101: Key Concepts

Optical fiber communications use access lines known as fiber-to-the-home (FTTH), fiber-to-the-premises (FTTP), and fiber-to-the-room (FTTR). These access lines



How does fiber optics work?

Cellphones work a different way: they send and receive information using invisible radio waves--a technology called wireless because it uses no

Contact Us

For datasheets, pricing, or custom telecom energy solutions, please visit:
<https://koskolong.co.za>