



Adam Tas Corridor Energy

What does sy represent for a distribution box





What does sy represent for a distribution box



Explore Power Distribution Box Types and Functions

Power distribution boxes are used in commercial and residential buildings and are part of the electrical system, also known as switchboards.

Distribution Boxes Explained: Types, Functions, and

Learn about distribution boxes, their types, functions, and safety features to ensure efficient and secure electrical power distribution in any building.



What Is a Septic Tank Distribution Box and How Does it

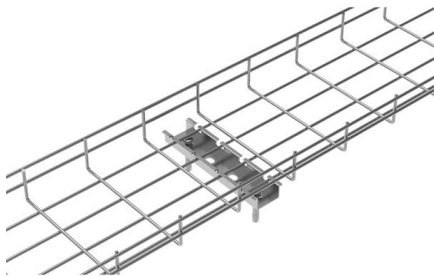
A distribution box is an essential element of any septic system. Learn more about its construction and purpose by reading this informative guide.

GD& T Symbols Explained: Full Reference Guide

Uses a circular tolerance zone and works with MMC -- the most used symbol in GD& T. A



theoretically exact reference point, axis, or plane that other tolerances



How to Read and Interpret Your Distribution Box Labels

Understand your distribution box labels to identify circuits, improve safety, and troubleshoot electrical issues in your home with confidence.

The Complete Guide to Distribution Box: Installation, Types & More

Quality distribution boxes represent a wise investment that pays dividends through improved safety, reduced maintenance costs, and enhanced system flexibility. As electrical demands



Mesh door/glass door optional



Sp-601 glass door



Sp-602 mesh door

Understanding Distribution Boxes:A Comprehensive Guide

A distribution boxes is an essential device that manages the safe and efficient flow of electrical power throughout different areas of a building or facility.



Wiring Diagram Symbols Every Electrician Should Know

These diagrams use standardized electrical symbols to represent each component, helping technicians understand how electricity flows through a

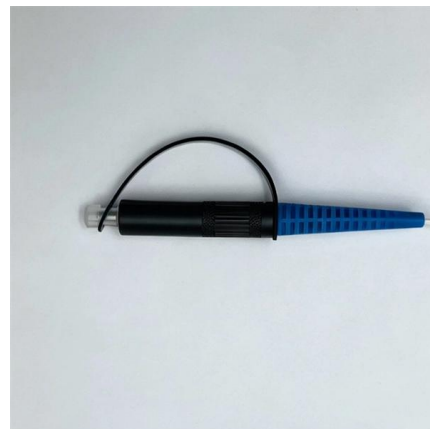


A Definitive Guide To Distribution Boxes

The distribution box acts as the center of power distribution, distributing electricity to all connected devices. A distribution box, also known as a distribution board, panel board, breaker

Schematic Symbols Cheat Sheet

We've broken down each symbol, describing what it represents and how it looks, using simple language so that anyone can understand it. We've also



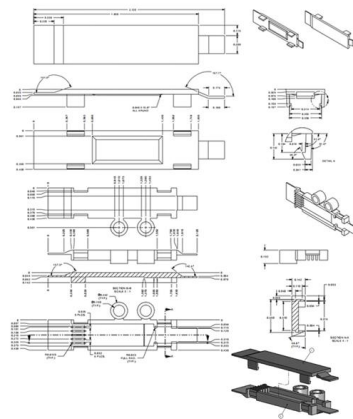
Septic Tank Distribution: All You Need to Know about

1. What is a Distribution Box? A Distribution Box (D-Box) is a component of a septic system that collects wastewater from the septic tank and



Electrical Symbols on Floor Plans & Blueprints , Cedreo

Your electrical panel is the heart of your home's power distribution, and its location and symbol must be clearly marked on every electrical plan.

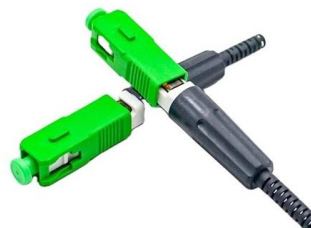


Electrical Site Plan Symbols

These plans provide a visual representation of the electrical systems to be installed, including power sources, distribution networks, lighting, grounding

what is a Distribution Box

In electrical systems, a distribution box, also known as a breaker box or distribution board, plays a critical role in managing and distributing electrical





Distribution Box: Types and Functions , Axis-Electricals



A distribution box ensures that electrical supply is distributed in the building, also known as a distribution board, panel board, breaker panel, or electric panel.

Comprehensive Guide to Septic System Distribution Box

Explore the comprehensive guide on septic system distribution box diagrams, covering design, function, and maintenance tips.



How to Read and Interpret Your Distribution Box Labels

You might feel a little nervous about opening your distribution box, but you can do it safely if you follow some simple steps. Let's walk through what you need to know before you start.



Distribution Box Guide: Types, Components & Solutions

Understand distribution boxes (DB boxes) in 5 minutes. Learn about types, components, functions, and uses. Find the perfect DB box for your needs.



What Is an Electrical Distribution Box? A Complete Guide

What Is an Electrical Distribution Box? An electrical distribution box serves as a centralized unit for distributing electrical power within various structures,



Understanding Distribution Boxes: A Comprehensive Guide

A distribution box, also known as a power distribution box or electrical distribution box, is used to distribute electrical power safely to multiple



What Does SY Mean in Cable?-Henan Province Jianyun Cable Co., Ltd.

What Does SY Stand For in Cables? In cable nomenclature, "SY" typically refers to a steel wire braided control cable, though the exact origin of the term is not strictly standardized and



Distribution Boxes: Types and Functions

Learn what an electrical distribution box (DB/distribution board) is, its main components (MCB/RCCB/RCBO, SPD, busbar) and common types.



Electrical Plan Symbols

Electrical plan symbols used in electrical drawings, including power, lighting, security, fire alarm, and communications symbols.

Electrical Power Distribution: Part 2 Drawings, Symbols & Studies

This information provides a foundation to understand electrical power distribution systems, the types of information that can be found on electrical drawings, and studies that are used to confirm proper



Understanding Distribution Boxes: Your Guide to Power

Weatherproof Distribution Boxes These serve specific outdoor purposes, with rain, dust, and extreme temperatures sealed shut, protecting any



10 Symbols Every Engineer Should Recognize in Single

SLDs may look overwhelming at first glance, but once you recognize these 10 core symbols, you'll be able to decode the essentials of any substation



Understanding Septic Distribution Boxes: A Quick Guide

Garrett Precast is a reliable precast company that supplies a wide range of products, including septic distribution boxes, retaining walls in Anderson,

What Is a Distribution Box?

What to Look for When Choosing a Distribution Box If you're going to buy a distribution box, there are several things you should look for. You should



The Importance of Distribution Boxes in Electrical Systems

Learn more about how distribution boxes play a critical role in the safe and efficient operation of electrical systems.



Contact Us

For datasheets, pricing, or custom telecom energy solutions, please visit:
<https://koskolong.co.za>