



Adam Tas Corridor Energy

What does the fiber optic panel represent regarding voltage





What does the fiber optic panel represent regarding voltage



Fiber Optic Terminology & Definitions , Fiber Terms Guide

Fiber Optic Tutorial presented by LANshack . Learn about fiber optic basics, fiber, jargon, cable, termination, network, estimation, testing, training, and glossary.

What are Fiber Optic Patch Panels?

Fiber Optic Patch Panels are essential components in fiber optic networks that manage and organize fiber connections. Learn about their functionality, including how they facilitate easy access for



Power Over Fiber - optical delivery of power, photonic

Power over fiber means the delivery of power for electronic devices via light in an optical fiber. This is advantageous for some applications.

Fiber Optic Backlight Panel

Fiber Optic Backlight Panels: Illuminating Displays Fiber optic backlight panels are a type of display technology that uses fiber optics to



direct light from a source to the

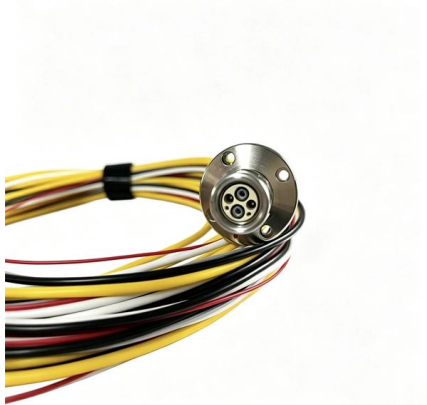


Fiber Optics: Understanding the Basics

Fiber types There are primarily three categories of optical fiber: single mode, multimode graded index, and multimode step index. These types differ in the

Fiber Optic Patch Panel Types & Best Practices

Explore Fiber Optic Patch Panel Types, Rack-Mount & Wall-Mount Panels, Connectivity Options, Troubleshooting, Upgrades, and Best Practices.



Fiber Optic Terminology & Definitions , Fiber Terms Guide

As fiber optic cables pass data, some of this data is naturally lost as it moves across great distances. How much optical power is lost is expressed as attenuation.



Answers to common questions about fiber optic systems

A fiber optic cable sends pulses of light (data) through thin strands of glass "fibers." The heart of a fiber is its glass core, which sits in the middle of the



DOC-000537-ANG-A-vulga dd

No detection: Standard fiber optic cables are dielectric, so they cannot be detected by any type of detector. Electrical isolation: Fiber optics enables to transmit information between two points at two

Fiber Optic Voltage Indication Features & Benefits

Our GracePESDs fiber optic voltage indicator assists task-qualified personnel with improved productivity and reduced risk while performing Lockout/Tagout (LOTO)



What Is Fiber Optic Cable?

A fiber optic cable is a long-distance network telecommunications cable made from strands of glass fibers that uses pulses of light to transfer data.



Fiber Optic System Testing Tutorial

A fiber optic link is usually terminated on one or both ends by adapters, or "patch panels" that physically serve to connect the transmit and receive ports on a network communications channel.

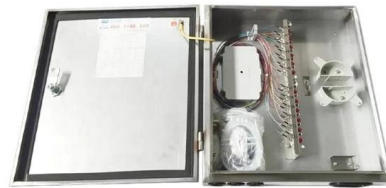


How Fiber Optic Cable Works - Stewart Telecommunications

Light is transmitted down the fiber optic cable in a Morse code fashion to represent the binary system of 0s and 1s (light on for 1; light off for 0), and it transmits these pulses at extremely

Fiber-optic communication

Modern fiber-optic communication systems generally include optical transmitters that convert electrical signals into optical signals, optical fiber cables to carry the



Fiber Patch Panels: A Beginner's Guide , RLH

Fiber optic patch panels are enclosures that act as a distribution hub for fiber cable. A bulk (multi-strand) fiber cable enters the patch panel and then each fiber strand



What Is a Fiber Optic Cable and How Does It Work?

Learn about the structure, types, and advantages of fiber optics in data transmission, and why they are the preferred choice for high-speed communication. Explore



What Is a Fiber Optic Cable and How Does It Work

A fiber optic cable uses thin glass or plastic fibers to transmit data as light pulses, enabling fast, clear, and reliable communication over long distances.



What does a Fiber Patch Panel do?

Fiber Patch Panels play a vital role in ensuring the reliability of optical fiber connections. Centralized cable termination reduces the risk of signal loss,



Frequently Asked Questions

A: The fiber is glass and the cable is plastic, neither of which are affected by electromagnetic interference. There is a cable used in electrical transmission

The Top 100 Fiber Optics Terms and Acronyms

Optical Fiber: An optical fiber is a thin, flexible medium capable of transmitting light between the two ends of the fiber. Made from high-quality glass,



The FOA Reference For Fiber Optics

Fiber optic links can transmit data as either analog or digital signals. Analog signals are continually varying signals, for example like a vinyl record while digital signals convert the analog signal to digital



Fiber Optic Basics

Optical fibers are circular dielectric wave-guides that can transport optical energy and information. This tutorial covers the physics of fiber-optics.



How does fiber optics work?

An easy-to-understand introduction to fiber optics (fibre optics), the different kinds of fiber optic cables, and how light travels down them.

Basics of Fiber Optics

In order to comprehend how fiber optic applications work, it is important to understand the components of a fiber optic link. Simplistically, there are four main components in a fiber optic link (Figure 1).



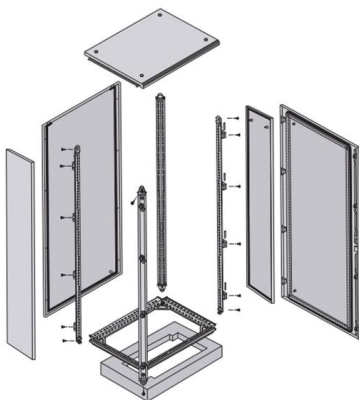


Fiber Optic Patch Panel: A Comprehensive Overview for

Fiber patch panels come in various types to meet specific network needs and are widely used in data centers to organize and manage fiber optic cables.

How does a fiber optic cable work?

Over the last 20 years or so, fiber optic lines have taken over and transformed the long distance telephone industry. Optical fibers are also a huge part of making



What is the voltage of power over fiber?

These cells are similar to those used in solar panels, designed to convert light into electricity efficiently. Voltage Levels in Power over Fiber
The voltage output in a

Fiber Patch Panels: A Beginner's Guide

What is a Fiber Patch Panel? Fiber optic patch panels are enclosures that act as a distribution hub for fiber cable. A bulk (multi-strand) fiber cable enters the patch panel and then each fiber strand is





Fiber Optic Industry Glossary

The ratio of the optical power at the center of the laser line width to the optical power at a given distance, as measured using an optical spectrum analyzer with a set

Contact Us

For datasheets, pricing, or custom telecom energy solutions, please visit:
<https://koskolong.co.za>