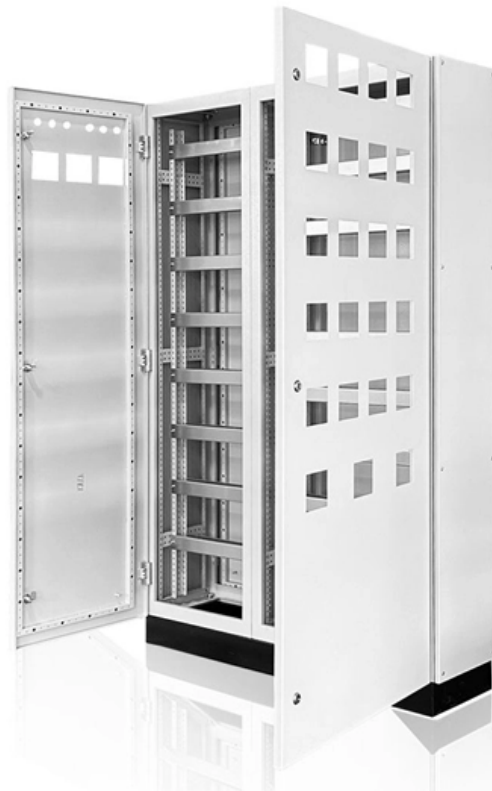




Adam Tas Corridor Energy

What fiber optic cable manufacturers are there in Albania North Asia





What fiber optic cable manufacturers are there in Albania North Asi

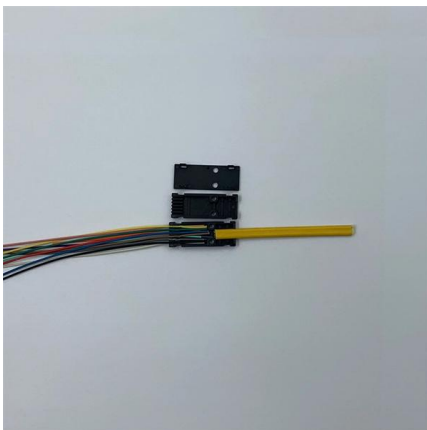


Fiber Optic Cable Market Size, Share & Trends Report,

The global fiber optic cable market was valued at USD 13 billion in 2024 and is estimated to grow at a CAGR of 10.4% to USD 34.5 billion in 2034.

Business Insider

Business Insider tells the global tech, finance, stock market, media, economy, lifestyle, real estate, AI and innovative stories you want to know.



Top 24 Fiber Optic Cable Manufacturing Companies

Explore fiber optic cable manufacturing companies like AFL and WEC, emphasizing innovation and quality in telecommunications solutions.

Albania Fiber Optic Cable Market (2025-2031) , Revenue & Share

Our analysts track relevant industries related to the Albania Fiber Optic Cable Market, allowing



our clients with actionable intelligence and reliable forecasts tailored to emerging regional needs.



Fiber Optic Cable Manufacturers

171 Fiber Optic Cable manufacturers listed. Fiber optic cable is composed of two layers of glass, the core, which carries the actual light signal, and the cladding, which is a layer of a glass surrounding

Fiber Optic Cable Market Size

The Fiber Optic Cable Market worth USD 14.22 billion in 2026 is growing at a CAGR of 9.84% to reach USD 22.74 billion by 2031. Corning Inc.,



Corning Inc.

The company continues to produce optical fiber and cable for the communications industry at its Wilmington and Concord plants in North Carolina.



Top 20 Fiber Optic Cable Manufacturers in the World

Based on 2025 rankings from industry sources like Owire and TSCables, the top manufacturers are evaluated on market share, innovation, and



20 Largest Fiber Optic Cable Companies (2025 List)

Updated list of the 20 largest fiber-optic cable makers--profiles, product lines, regions, and sourcing tips to shortlist vendors.

Top US Fiber Optic Cable Manufacturers & Best Global Alternatives

Looking for top fiber optic cable manufacturers in the USA? We review industry leaders like Corning & AFL, and compare them with high-performance global alternatives for better ROI in 2025.



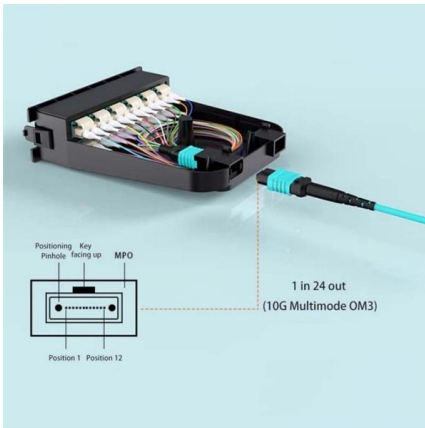
20 Largest Fiber Optic Cable Companies (2025 List)

Company Profiles & Key Projects 1. Prysmian
Main Products: Optical fibers, fiber-optic cables, and connectivity solutions. Primary Markets: Europe, North America,



Top US Fiber Optic Cable Manufacturers & Best Global

Looking for top fiber optic cable manufacturers in the USA? We review industry leaders like Corning & AFL, and compare them with high-performance



10 Best Fiber Optic Manufacturers for 2026

Discover the best fiber optic manufacturers globally, offering cutting-edge multimode and single mode fiber solutions. See who tops the list for quality

Algeria Fiber Optic Cables Market (2025-2031) , Industry & Share

Algeria Fiber Optic Cables Market Trends The Algeria Fiber Optic Cables Market is experiencing growth due to increasing demand for high-speed internet connectivity, driven by the rise in data consumption



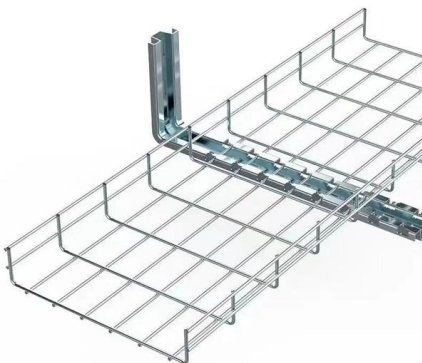


6 companies for Fiber Optic Telecommunications in Albania

Discover all relevant Fiber Optic Telecommunications Companies in Albania, including Digicom Albania and IMPACT Shpk

United States Multi-Channel Fiber Optic Connectors Market Growth

The United States Multi-Channel Fiber Optic Connectors Market prioritizes cost control and efficiency enhancement. Additionally, the reports cover both the demand and supply sides of the



Fiber Optic Cables Manufacturers and Suppliers in the

A list of the top fiber optic cable suppliers and manufacturers in the USA and Canada, including the top fiber optic cable companies with diversity

Top 10 Fiber Optic Cable Suppliers & Manufacturers in Europe

The field of fiber optic technology has revolutionized global communications, providing high-speed, reliable, and efficient data transmission solutions. In Europe, the demand for top-quality



Top 20 Fiber Optic Cable Manufacturers in the World

This list incorporates leading players, including Dekam-Fiber, Corning, Prysmian, and CommMesh, which stand out for their contributions to



Comprehensive Japan Fiber-optic Cable Market Overview

Japan's fiber-optic cable market has been experiencing significant growth driven by the increasing demand for high-speed internet, advancements in telecommunications infrastructure, and



Corning Inc.

The company continues to produce optical fiber and cable for the communications industry at its Wilmington and Concord plants in North Carolina. It is also a major





10 Best Fiber Optic Manufacturers & Suppliers for 2026

The top 10 suppliers and manufacturers of optical cables in 2026. offering high-speed connectivity, durable builds, and reliable performance across



Cables Suppliers from Albania

According to Volza's Cables export data of Albania, there are a total of 100 Cables Suppliers in Albania, exporting to 113 buyers globally. In the period from Sep 2023 to Aug 2024, 51

Fiber Optic Cable Myanmar Suppliers, Manufacturer, Distributor

Alibaba offers 23 Fiber Optic Cable Myanmar Suppliers, and Fiber Optic Cable Myanmar Manufacturers, Distributors, Factories, Companies. There are 3 OEM, 3 ODM, 2 Self Patent. Find high quality Fiber



Optical fibres and cables in Albania

About Exports In 2024, Albania exported \$4.47k of Optical fibres and cables, making it the 134th largest exporter of Optical fibres and cables (out of 167) in the world. During the same year, Optical fibres



Contact Us

For datasheets, pricing, or custom telecom energy solutions, please visit:
<https://koskolong.co.za>