



Adam Tas Corridor Energy

What is the blue color of outdoor optical fiber cables





Overview

Why are some fiber optic connectors green and others blue?

Connector colors indicate the polish angle of the fiber end-face, which is critical for safety and performance. How to Identify Fibers in High-Count Cables (>12 Fibers) For cables with more than 12 strands (e. The 12-color sequence is applied twice: first to the outer Buffer Tube, and then to the individual Fiber inside it.



What is the blue color of outdoor optical fiber cables



What types of outdoor fiber optic cables are there?

The outdoor optical cable is to dye each core bare fiber with ink of different colors. The color of the ink is the same as that of the indoor cable, and there are also 12 types.

Corning 144 Strand FastAccess Singlemode Loose

This Singlemode OS2 fiber optic cable is designed to handle long-distance, high-traffic environments such as large universities, industrial parks, and enterprise



Fiber Optic Cable Color Codes

In the center, orange cable means multimode fiber and the beige connector indicates 62.5/125 fiber. On the right, the yellow patchcord indicates singlemode fiber and

002ZDF-21W01M20 , ActiFi® Composite Cable, Loose Tube, Indoor/Outdoor

Corning ActiFi FREEDM Composite Class 3



Limited Power Cables provide the ultimate solution for indoor/outdoor remote powering of distributed antenna systems, optical networks, small cells and



024T8F-31131-A1 , FREEDM® One Tight-Buffered, Interlocking

Note: This cable is available in 12 different jacket colors - blue, orange, green, brown, slate, white, red, black, yellow, violet, rose and aqua. The colored jacket allows for easy visual identification of the



Fiber Color Code: Basic Guide

Fiber optic color coding system helps to standardize the management of fiber optic cabling systems and avoid optical communication link failures



216PU4-T4719D20 , ALTOS® Loose Tube, Gel-Free, All-Dielectric Cable

The innovative FastAccess technology feature combined with the all-dielectric gel-free loose tube design simplifies removal of the cable jacket reducing cable end access time by at least 50 percent. Equally





Color Arrangement Rules For Optical Fiber

In addition to the color coding of individual fibers, the outer jacket of the cable itself is often color-coded to indicate the type of fiber being used. This



Fiber Optic Cable Color Code: Complete Installation and

The Fiber Optic Association promotes standardized color coding systems that enable consistent identification across different manufacturers and

SUPPORTS DIN RAIL INSTALLATION



288ZH4-S4F42A20 , MiniXtend® HD Cable with Binderless

The innovative Binderless FastAccess Technology improves cable handling and reduces access time up to 70 percent while lowering risk of cable and fiber damage. MiniXtend HD cables have an SZ



What Do All The Colors Mean? Fiber Optic Color Code

Understand the fiber optic color code! Learn the meaning behind each color (blue, orange, green, etc.) for easy identification, installation, and splicing of



018K8P-31130-A3 , FREEDM® One Tight-Buffered, Interlocking

Note: This cable is available in 12 different jacket colors - blue, orange, green, brown, slate, white, red, black, yellow, violet, rose and aqua. The colored jacket allows for easy visual identification of the



Fiber Optic Cable Color Code: Complete Installation and

This standardized fiber optic color coding system helps prevent costly connection errors while dramatically reducing installation and maintenance time

Outdoor Fiber Optic Cable Types: Complete Guide

This article summarizes the major outdoor fiber optic cable types and their distinguishing features. You can identify them with images.



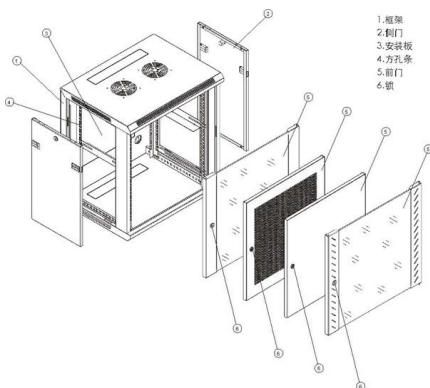


144ZH4-Y4F42A20 , MiniXtend® HD Cable with Binderless

The innovative Binderless FastAccess Technology improves cable handling and reduces access time up to 70 percent while lowering risk of cable and fiber damage. MiniXtend HD cables have an SZ

What is Fiber Optic Color Code, and How to Identify It?

Outer Color: The outer jacket of the fiber optic cable often has a color corresponding to its application. For example, yellow jackets are commonly used for outdoor or



FIBERHOME Stranded outdoor armored optical cable Outdoor GYTA

FIBERHOME Stranded Outdoor Armored Optical Cable GYTA-4B1.3 is a high-performance 4-core single-mode fiber optic cable designed for carrier-grade outdoor applications. Featuring robust

What is the Difference Between Green and Blue Fiber

This article delves into the significance of green and blue fiber ends, exploring their differences, applications, and how to choose the right one for your





Fiber Optic Color Code: The Ultimate TIA-598-C Guide

Master the TIA-598-C fiber optic color code standard. Read our complete guide and use our free interactive calculator to easily identify 1-144 core cables.

Fiber Optic Color Code: Complete Guide to Cable

Master the fiber optic color code system! This comprehensive guide helps identify fiber optic cable colors, cable jackets, and connectors for quick and



004T8F-31131-A1 , FREEDM® One Tight-Buffered, Interlocking

Note: This cable is available in 12 different jacket colors - blue, orange, green, brown, slate, white, red, black, yellow, violet, rose and aqua. The colored jacket allows for easy visual identification of the



- IP65/IP55 OUTDOOR CABINET
- OUTDOOR MODULE CABINET
- OUTDOOR 5G BASE STATION CABINET
- WATERPROOF

WORLD WIDE WEB JOURNAL Home

will open to start the export process. The process may take but once it finishes a file will be downloadable from your browser. You may continue to browse the DL while the export process is in



Fiber Optic Cables

CommScope designs and manufactures a comprehensive line of fiber optic cables--from outside plant to indoor/outdoor and fire-rated indoor fiber cables.



An Overview Of Optical Fiber Cable Structure And Components

An optical fiber cable is a complex structure designed to protect fragile glass fibers that transmit digital data using light signals. This



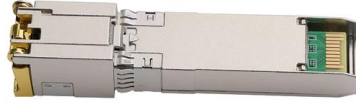
Fiber Color Code Guide: TIA-598 Standard Explained

Understand the TIA-598 fiber color code system for jackets, fibers, and connectors. Learn color meanings for single-mode and multimode optical cables.



Fiber Optic Color Code Explained: Jacket, Connector

A blue connector means you're looking at single-mode fiber with a UPC (Ultra Physical Contact) polish. UPC connectors have a flat endface and



Fiber Optic Cables , OM1 OM2 OM3 OM4 OS2 , Singlemode Multimode

Shop Fiber Optic Cables OS2, OM1, OM2, OM3 and OM4 in a variety of colors and lengths. High-quality fiber cables for professional applications.

Contact Us

For datasheets, pricing, or custom telecom energy solutions, please visit:
<https://koskolong.co.za>