



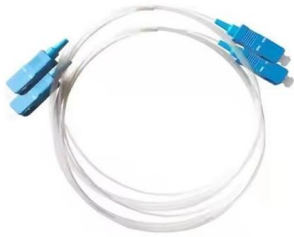
Adam Tas Corridor Energy

What is the maximum size of an optical fiber cable





What is the maximum size of an optical fiber cable

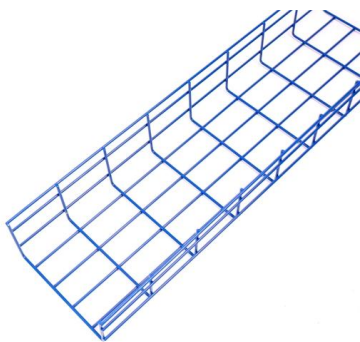


Fiber Optic Cable Sizes: A Comprehensive Analysis

In data centers or telecom networks, the cables can go up to 288 cores. The right core size depends on the data volume and distance. Moreover, a Qoura user named Wicida Sarme has

Fiber Optic Cable Range: Comprehensive Guide -

Fiber optic cable range explained with key tips on distance, types, and setup to keep connections stable, fast, and ready for future upgrades.



Fiber-optic cable

A fiber-optic cable, also known as an optical-fiber cable, is an assembly similar to an electrical cable but containing one or more optical fibers that are used to carry

Network Cable Maximum Lengths: Ethernet, Coaxial, and Fiber Optic

Understanding network cable maximum lengths isn't just about avoiding signal loss--it's about



building efficient, cost-effective networks.
Ethernet's 100-meter limit works for homes and



Singlemode vs Multimode Fiber Optic Cable

We breakdown the differences between single mode and multimode fiber optic cable, covering aspects like physical structure, bandwidth over



Explaining NEC Article 392 on Cable Trays

NEC Article 392 explains cable trays, their components, appropriate wiring methods for cable trays, and instances where they are and are not



Fiber Optic Cable Types Explained

Our comprehensive guide to types of fiber optic cables. Learn all about the differences between single mode and multimode cables, as well as the various



waifu-diffusion/tokenizer/vocab.json at main · jack-op11/waifu

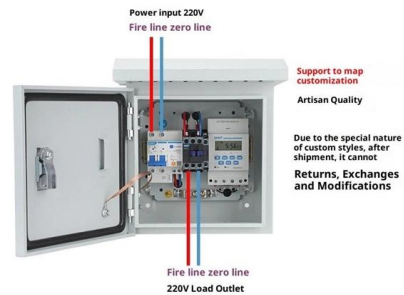
Contribute to jack-op11/waifu-diffusion development by creating an account on GitHub.



The Ultimate Fiber Optic Cable Size Reference Chart

Our comprehensive chart simplifies the process by outlining the key dimensions--core size, cladding size, coating diameter, and buffer size--that

Product Wiring Diagram



Bend-Insensitive Fiber - What Is It? - trueCABLE

Discover the benefits of bend-insensitive fiber for reducing stress and bending loss in optical fiber. Learn about its design, applications, and



The Ultimate Fiber Optic Cable Size Reference Chart

Why Fiber Optic Size Matters The size of a fiber optic cable isn't just a technical detail; it's a critical factor that defines its performance and suitability for



可选配件



The FOA Reference For Fiber Optics

A single cable that has as many fibers as 12-144 fiber cables (1728 fibers) in a cable with a diameter of only twice that of a conventional 144 fiber cable can present

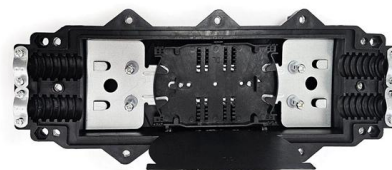


Fiber Optic Cable Range: Comprehensive Guide

Fiber optic cable range varies depending on whether you're using single or multimode fiber. Learn the potential for both cable types.

Maximum Fiber Optic Range: Optical Budget, Distances 10G/40G

Our engineers are proficient in optical budget calculations and the IEEE 802.3 and ITU-T G.9xx standards to help you size your connections with the right margins.





Fiber Optical Switches - Secure And Reliable Solutions

Our fiber optical switches offer several control options - remote control, control via button switch or both. The signal passes through the switch optically, without any

What Is an SFP Module? -- Complete Guide to SFP, SFP+ & SFP28

An SFP (Small Form-factor Pluggable) is a compact, hot-pluggable transceiver module that allows networking equipment -- including switches, routers, servers, and media converters -- to support



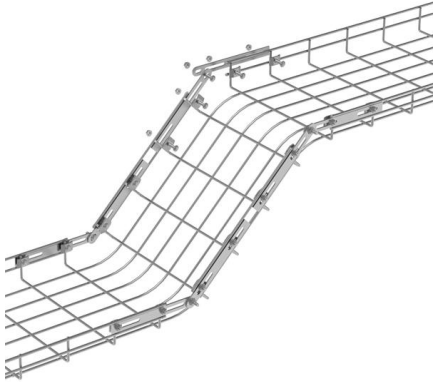
Multi-fiber Push On (MPO) Connectors

Multi-fiber push on connectors, or MPOs, are fiber cable connectors comprised of multiple optical fibers. Learn more at [Fluke Networks](#).

An Overview Of Optical Fiber Cable Structure And Components

An optical fiber cable is a complex structure designed to protect fragile glass fibers that transmit digital data using light signals. This





FIBRE OPTIC CABLES GENERAL SPECIFICATIONS

FIBRE OPTIC CABLES GENERAL SPECIFICATIONS *
All attenuation values are valid for cabled fibres
** Zero Water Peak

Fiber Sizes, Lengths and Diameters

While we consider raw fiber to be standard product, many customizing options are available (packaging, bundle size and length). When raw fiber is sold, the product is typically manufactured per the

Focus creates quality products



Fiber Optic Cable Size Chart: Complete Guide

Fiber optic cable size chart with complete guide to core, cladding, and jacket dimensions, types, and specifications for networking and installation use.



Contact Us

For datasheets, pricing, or custom telecom energy solutions, please visit:
<https://koskolong.co.za>