



**Adam Tas Corridor Energy**

# **What is the panel for pre-embedded fiber optic cables called**





## Overview

---

The fiber optic patch panel, also known as the fiber distribution panel, serves as the crucial component of the management of fiber optic cables. Patch panels are rack-mountable onto 19", 21" and 23" rack systems, and some are designed to be wall-mountable. Consolidate your fiber optic connections in industrial environments with our DIN rail patch panel, with a modular design and tool-free installation save space and simplify deployment.



## What is the panel for pre-embedded fiber optic cables called

---



### What is the purpose of a fiber optic patch panel?

What is the purpose of a fiber optic patch panel? In the fast-paced world of data transmission, where information flows like a digital river, the role of

### Fiber Patch Panels: A Beginner's Guide

Fiber optic patch panels are enclosures that act as a distribution hub for fiber cable. A bulk (multi-strand) fiber cable enters the patch panel and then each fiber strand is separated into individual strands or



### Fiber Optic Patch Panel: A Comprehensive Overview for

The fiber optic patch panel, also known as the fiber distribution panel, serves as the crucial component of the management of fiber optic cables. It is usually a metal

### What are Fiber Optic Patch Panels?

Fiber Optic Patch Panels are essential components in fiber optic networks that manage and organize fiber connections. Learn about their



functionality, including how they facilitate easy access for



## Fiber Optic Patch Panel: 10 Best Options for 2025 Success

Discover the best fiber optic patch panel options for 2024. Learn how to choose, install, and maintain your fiber network for future growth.



## Fiber Patch Cables Explained 2025: Types, Connectors,

Key points: They are also called fiber jumpers. Used to connect optical transceivers <-> transceivers, switches <-> patch panels, or cross-connect



## What Is a Fiber Patch Panel & Why It's Essential for

What Is a Fiber Patch Panel? A fiber patch panel is a mounted enclosure--either rack-mounted or wall-mounted--used to terminate, manage,





## What Is A Fiber Optic Patch Panel? How Is It Used?

The fiber-optic patch panels can be equipped with connection panels, connectors, patch cords, associated trunk cables, and cable management is

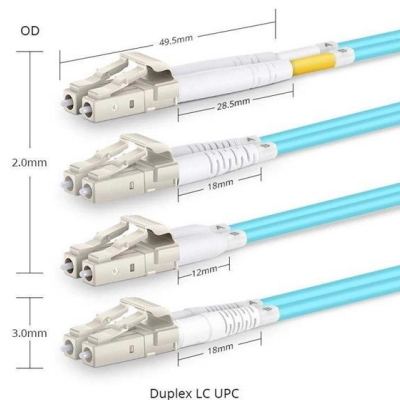


## Fibre Patch Panel Explained: Types, Benefits & Tips , fibresales

At its core, a fibre patch panel is a cable management device that allows you to terminate incoming fibre optic cables, organise them neatly,

## What are Fiber Patch Panels?

Fiber Patch Panels are vital components in fiber optic networks that organize and manage fiber connections. Learn about their structure, functionality, and benefits,



## Ultimate Guide to Fiber-Optic Patch Cables: Types, Selection, and

Learn about fiber optic patch cables, their types, construction, applications, and how to choose the right one for your network needs.



## How does a Fiber Optic Patch Panel Work?

Fiber optic patch panels in fiber optic networks, serving as a centralized point for managing and organizing fiber optic cables and connections.



## The Ultimate User Guide to Fiber Patch Panel

In the simplest terms, the fiber patch panel is an array of ports on one panel, which helps organize a group of fiber cables. Fiber patch panels can

## Types of Fiber Optic Patch Panels

The fiber optic patch panels can accommodate connector panels, connectors, patch cords, associated trunk cables, and usually come with cable management. With the use of fiber optic patch cables,





## What Is a Fiber Patch Panel & Why It's Essential for

A fiber patch panel is a mounted enclosure--either rack-mounted or wall-mounted--used to terminate, manage, and interconnect multiple fiber optic

## What is a Fiber Optic Patch Panel?

A fiber optic patch panel is commonly described as the interface panel that connects multiple optical fiber cables and optical equipment. Patch



## What is a Fiber Patch Panel?

Cable Management and Labeling - When choosing a fiber panel, make sure to look for wire management to help route and protect cables and

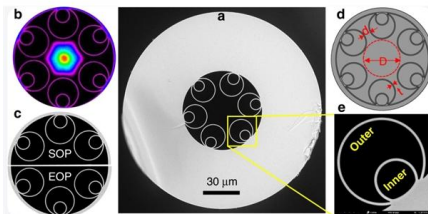
## What Is Fiber Patch Panel: A Beginner's Guide

An optical fiber patch panel is an indispensable nerve center for an optical fiber network. Not only does it provide secure, reliable locations for vulnerable optical fiber, but it also offers great



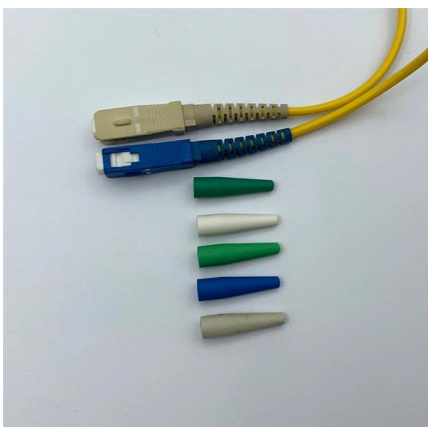
## Fiber Optic Panels

Reserve space for future fiber optic needs with our blank fiber adapter panel. This panel snaps in for easy expansion and compliance with TIA/EIA-568-C.3 standards.



## Fiber Optic Patch Panel - How to Choose and How to

Fiber optic patch panel is also called fiber distribution panel. Its main function is to terminate the fiber optic cable and provide connection access to the cable's



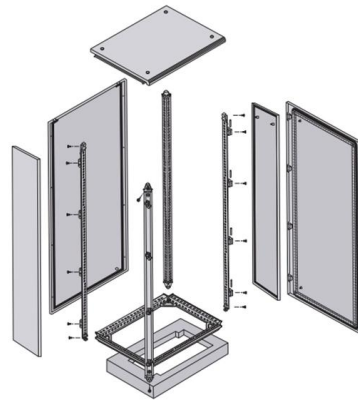
## Fiber Optic Patch Panel Explained: What It Is & How It

A fiber optic patch panel is a hardware unit designed to terminate, organize, protect, and manage fiber optic cables. It provides a central point where incoming fiber



## What is Fiber Optic Patch Panel, How to Choose it?

And every fiber patch panel gets the same usage: house, organize, manage and protect fiber optic cable. Based on Different Installation Methods Rack Mount



## Fiber Patch Panels - optical network, cable

Fiber patch panels are devices with multiple ports for fiber connectors, used for fiber cable management, e.g. at incoming fiber cables.

## ODF vs. Fiber Patch Panel: Key Differences Explained

The Fiber Patch Panel, often rack-mounted within equipment racks or cabinets closer to active gear (like switches, routers, servers), acts as the local



## Everything You Need to Know About Pre-Terminated

Discover everything about pre-terminated fiber optic cable assemblies, including features, installation tips, and options like singlemode and



## Structure of Rack Mount Fiber Optic Patch Panels

explore the key components and types of rack mount fiber optic patch panels. Learn about housing, adapter panels, splice trays, and more for network



## Fiber Adapter Panels in Modern Network Infrastructure

In the world of telecommunications, fiber adapter panels stand as indispensable components, facilitating seamless connectivity and efficient data transmission within fiber optic

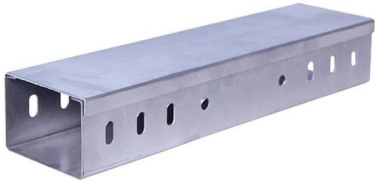
## Pre-Terminated Fiber Optic Patch Panel Cabling System

HiPerLink Pre-Terminated Fiber Optic Patch Panel Cabling System Built by Cablesys Brand for Small to Mid-Size Data Centers This system comes pre-terminated, labeled, and tested for performance,



## How Pre-Terminated Fiber Patch Panel Assemblies Are Built

Cablesys Brand pre-terminated fiber optic patch panel cable assemblies are manufactured, tested, and prepared for high-speed network installations.



### **What is a Fiber Optic Patch Panel?**

A fiber optic patch panel is commonly described as the interface panel that connects multiple optical fiber cables and optical equipment. Patch panels are rack-mountable onto 19",



### **Contact Us**

---

For datasheets, pricing, or custom telecom energy solutions, please visit:  
<https://koskolong.co.za>