



**Adam Tas Corridor Energy**

# **What kind of fiber optic terminal box is good**





## Overview

---

Choosing the right fiber optic terminal box is less about buzzwords and more about matching physics and field reality to your site: where the box will live, how many cores you need now and later, how technicians will access it, and what level of environmental and mechanical. In every fiber build, there's a quiet place where the glass path meets the real world: the fiber optic terminal box. It's where delicate strands are protected, splices are routed, connectors are exposed for patching, and future changes are made painless—or painful. By understanding the components, types, and differences between various fiber management devices, businesses can make informed decisions when deploying and maintaining their fiber. A fiber optic junction box, also known as a fiber optic distribution box or termination box, is a protective enclosure that facilitates the connection and management of fiber optic cables.



## What kind of fiber optic terminal box is good

---



### How to choose the right fiber terminal box for your

Wall-mounted fiber optic terminal boxes are ideal for applications such as teleconferencing, building entry terminals, and more. These FTBs can be

### FTTH Distribution Terminal Box, FTTH Fiber Optic

Fiber Optic Termination Box is used in the end termination of drop cables in residential buildings and villas, to fix and splice with pigtailed. UnitekFiber supplies



### Fiber Termination Box 2025 Guide for IP65 and IP68

Compare fiber termination box types for IP65 and IP68 ratings in 2025. Find the best options for indoor, outdoor, and harsh environments with updated

### Fiber Terminal Box vs. Junction Box: What's the Difference?

Learn the difference between a fiber terminal box and a fiber junction box, including functions,



applications, capacity, and installation scenarios. Zion Communication provides a



## Fiber Terminal Box VS. Junction Box: What is the

Imagine your fiber optic network as a high-speed information highway. Just like highways require exits, interchanges, and connections to reach homes

## Fiber Box Types and Applications in FTTH Network

In broadband optical fiber access network, we often see the all kinds of fiber box such as fiber cabinet, fiber optic distribution box, fiber optic terminal box, multimedia box, and customer box.



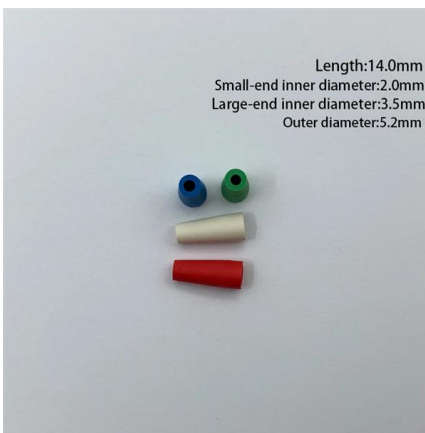
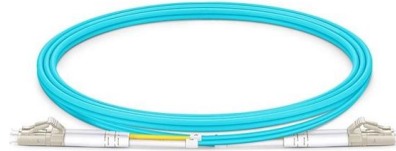
## What is Fiber Termination Box

Its primary function is to efficiently manage and terminate fiber optic cables, connecting the cable's core to a pigtail. This guide will provide an in-depth



## Understanding Fiber Optic Junction Boxes: A

In this comprehensive guide, we will explore the where, what, and how of fiber optic junction boxes, providing beginners with a



## What is an Optical Fiber Terminal Box

Optical Fiber Terminal Box is a crucial component in today's FTTH networks, primarily used for terminating, connecting, and managing.

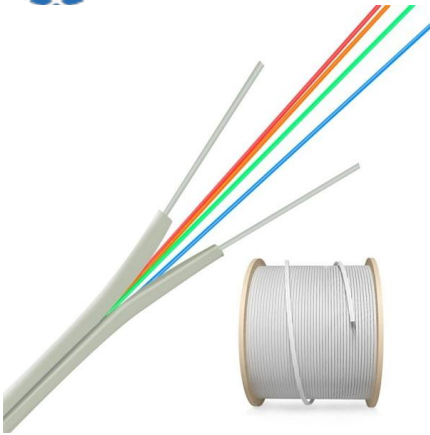
## Terminal Box

A fiber terminal box is a protective enclosure designed to safeguard fiber optic cables and the fiber pigtails that are spliced or connected at the termination point of the fiber optic cable. These



## [waifu-diffusion/tokenizer/vocab.json at main · jack-op11/waifu](#)

Contribute to jack-op11/waifu-diffusion development by creating an account on GitHub.



## Essential Fiber Optic Terminal Box Features

Considerations for Selection Compatibility with Network Applications When selecting a fiber optic terminal box, ensuring compatibility with network



## All You Need To Know About Fiber Termination Boxes:

Source Optical fiber terminal boxes can be of many different types: Based on Cable Connection Method Straight-through Terminal Box: This terminal

## Fiber Optic Terminal Box Guide: Choosing the Right

Discover how to select the best fiber optic terminal box for data centers, campus fiber backbones, outdoor FTTH networks, and enterprise fiber





## Types of Fiber Optic Terminal Boxes: How to Choose

The article discusses choosing fiber optic terminal boxes, covering types, materials, costs, and best practices for efficient network performance. It



## Fiber Terminal Boxes: What They Are and Why You

A fiber terminal box, also known as a fiber distribution box, is a device used in fiber-optic communication networks to terminate, splice, and distribute

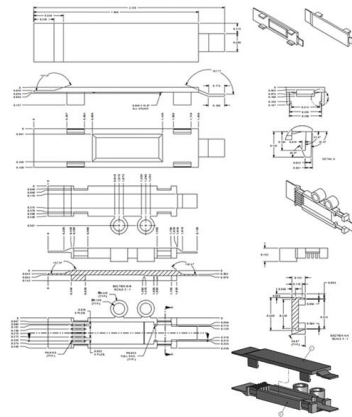


## What is a Fiber Terminal Box?

Introduction to Fiber Terminal Boxes In the world of modern telecommunications, fiber optics play a crucial role in transmitting data over long

## Fiber Terminal Box

Fiber Terminal Boxes GAO Tek's fiber terminal boxes are devices used in fiber optic networks to terminate and manage fiber optic cables. Our boxes serve as a connection point for incoming and



### What is the fiber optic terminal box?

A fiber optic terminal box, or fiber terminal box (FTB), is an essential device in fiber optic networks for terminating and managing fiber optic cable connections. It is compact, designed for both

### What You Need to Know About Fiber Terminal Box

The significant advantage of the fiber terminal box is that it can economically and efficiently achieve cable fixing, splicing and mechanical



### Fiber Terminal Box , Fiber Distribution Box , Fiberlink

Fiber Access Terminal Box is a good design with strong robust ABS+PC materials for indoor and outdoor FTTx applications. Fiberlink FAT terminal boxes provide mechanical protection for a fiber





## What You Need to Know About Fiber Terminal Box

In summary, Fiber Terminal Boxes are indispensable components of fiber optic networks, providing essential functions such as connection,



## How to choose the right fiber terminal box for your

The development of fiber terminal box (FTB) is essentially to solve this problem. It helps protect fragile fiber optic terminals and helps create a simple

## Understanding Fiber Optic Junction Boxes: A Comprehensive

In this comprehensive guide, we will explore the where, what, and how of fiber optic junction boxes, providing beginners with a



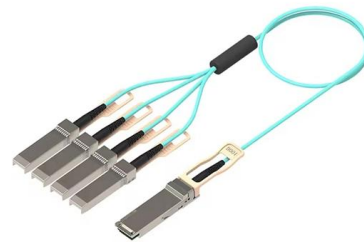
## Guide of Fiber Optic Terminal Box

Fiber optic terminal box is a product designed for different scenarios in FTTH construction, such as primary or secondary splitting.



## The Types of fiber Optical Terminal Boxes and How to

Choosing the right type of fiber Optical Terminal Box depends on several factors, including the application, the number of fibers to be connected,



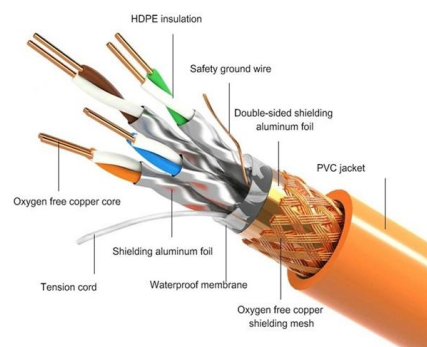
## What is Fiber Termination Box

A Fiber Termination Box (FTB), also known as an Optical Terminal Box (OTB), is a crucial component in Fiber to the Home (FTTH) applications. Its

## Learn About Fiber Optic Terminal Boxes for FTTH

Fiber Optic Connectors In FTTH applications, fiber optic terminal boxes serve as the Optical Distribution Point, providing a crucial connection point

### PRODUCT DETAILS





## **How to choose a fiber terminal box for large-scale fiber optic networks**

The box connects important spots in your fiber network. Your choices change how well your data moves. They also affect how reliable your connections are. Good installation and the right

## **Contact Us**

---

For datasheets, pricing, or custom telecom energy solutions, please visit:  
<https://koskolong.co.za>