



Adam Tas Corridor Energy

What size cable tray is appropriate





What size cable tray is appropriate



Cable Tray Size Calculation for Project Engineers

Cable tray size calculation is important for ensuring safe cable installation, proper heat dissipation, and enough spare capacity for future

Cable Tray Dimensions Guide: Standard Sizes, Tray

Standard Cable Tray Dimensions Cable tray dimensions are not chosen at random. Across most global markets, they follow well-established



Ultimate Guide to Cable Tray Selection - Types,

Learn how to choose the best cable tray system for your needs. Explore types, materials, installation tips, and NEC compliance in this expert guide.

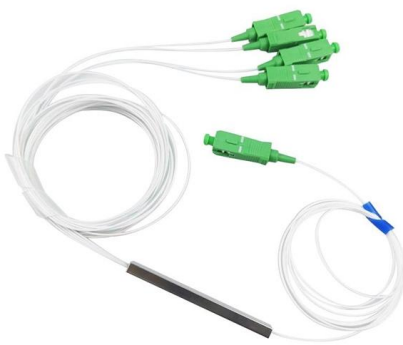


Tray Cable Size Chart: Choosing the Right Gauge

In this guide, we walk through what tray cables are, the meaning of AWG sizes, a detailed tray



cable size chart, key factors in selecting the right gauge, common tray cable types and

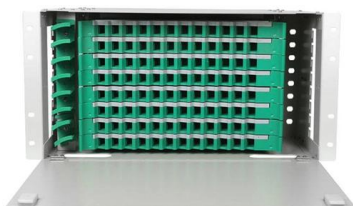


How To Find Size Of Cable Tray

Cable trays are an essential part of any electrical system, providing a safe and efficient way to route cables and wires. In order to ensure your system operates without interruption, it's

Cable Tray Technical Guide A practical guide to product selection and

Cable Tray Technical Guide A practical guide to product selection and installation This guide for engineers and installers has been developed by ABB as a practical reference regarding cable tray



Cable Tray Sizing Calculator

Calculate the appropriate cable tray size based on your cables and fill requirements. This calculator determines if your tray meets industry standards



How To Calculate Cable Tray Size , Step-by-Step Guide

Learn how to calculate cable tray size step-by-step, including formulas, standard sizes, and practical tips. Find out the best practices for



Cable Tray Size Guide: How to Choose the Right Dimensions

Selecting the right cable tray size is critical for electrical safety, system efficiency, and cost control. This comprehensive guide covers standard cable tray sizes, calculation methods, and practical selection



Cable Tray Conundrum: How to Choose the Right Size for Your Needs

Furthermore, improperly sized cable trays can also compromise compliance with industry standards and regulations, leading to fines, penalties, and reputational damage. By choosing the

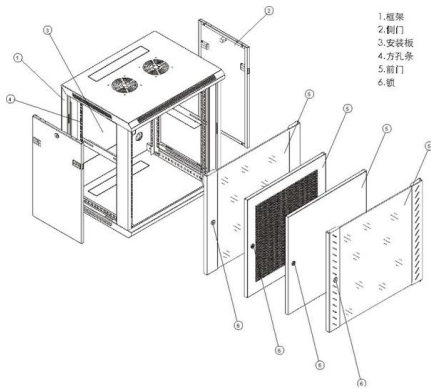
Cable Tray Systems: Requirements and Best Practices

Comprehensive guide to cable tray systems requirements: tray types, materials, loading, supports, bonding, routing, and best practices for safe electrical cable management.



Cable Tray Types and Sizes

Explore various cable tray types and sizes for electrical installations. Learn about ladder, perforated, solid-bottom, wire mesh, and channel trays in this complete



A Complete Guide to Cable Trays Sizes and Selection

Explore our complete guide to cable trays sizes. Learn how to calculate loads, select types, and navigate UK standards for a certified network installation.

Cable Tray Sizing

Follow industry standards to select the appropriate cable tray dimensions. Avoid overloading and ensure proper spacing for heat dissipation. Conclusion: Choosing the Perfect Cable





Types of Cable Trays - Advantages, Applications and Sizes

Explore the types of cable trays, their advantages, applications, and standard sizes. Learn how they improve cable management and support various industries.

Cable Tray Size and Dimensions: How to Choose the

Learn how to calculate the perfect cable tray size and dimensions for your electrical project. This guide covers load capacity, fill ratios, and industry



Selecting the Right Size: A Guide to Medium Duty Cable Tray

The cable tray is a critical element in this realm, and choosing the right size is paramount. This comprehensive guide will delve into the nuances of medium-duty cable trays,

Proper Cable Tray Sizing for Efficient Installations

Proper cable tray sizing is critical for the efficient and safe management of electrical wiring in industrial, commercial, and residential





Cable Tray Dimensions and Specifications as per NEC



Many electrical systems employ cable trays. They route cables safely & efficiently. NEC defines minimum cable tray size & electrical installation

Cable Tray Technical Guide A practical guide to product selection and

In designing supports for a cable tray system, consideration should be given to the loads associated with future cable additions and any additional loading that may be applied to the cable tray system (e.g.,



Cable Tray Sizing

Learn cable tray sizing with accurate width and dimension calculations. Avoid common mistakes for efficient cable management. Read our expert guide now!

Cable Tray Dimensions Guide: Standard Sizes, Tray

Explore standard sizes by tray type, understand width and depth limits, and see how to calculate and choose compliant cable tray sizes for real projects.



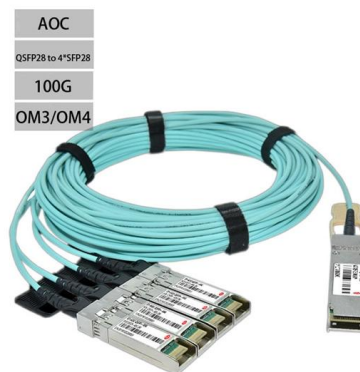
Cable Tray and its types & Sizes

A cable tray is a type of a containment used to support insulated electrical cables used for power distribution, control, and communication.



Cable Tray Size Chart and Selection Guide

Selecting the appropriate electrical cable tray dimensions is a critical decision that directly impacts the safety, efficiency, and longevity of any industrial or commercial electrical installation.



Cable Tray Width, Dimensions and Specifications as per

Cable Tray Width, Dimensions and Specifications as per NEC Learn about cable tray width dimensions and specifications as per NEC standards. Understand types,



Contact Us

For datasheets, pricing, or custom telecom energy solutions, please visit:
<https://koskolong.co.za>