



Adam Tas Corridor Energy

What types of server racks are typically found in a telecommunications equipment room





Overview

Also known as open racks or relay racks, these are open structures that provide support and organisation for network equipment. They consist of a framework of vertical posts and horizontal rails, allowing for easy access and optimal airflow. As a core infrastructure component in data centers and telecom rooms, it houses critical devices such as servers, routers, and switches, enabling secure deployment and.



What types of server racks are typically found in a telecommunication



A Complete Guide to Telecommunications Enclosures

Types of Telecommunications Enclosures
Telecommunications enclosures come in many shapes and forms to meet various application needs. Indoor enclosures are

Understanding Server Racks: The Backbone of Modern

Server Racks: These provide the basic framework for mounting servers and other equipment. With various sizes and designs available, they cater to specific needs



Types of Server Rack

This post provides a detailed introduction to network cabinets, their types, features, and several popular Gcabling server racks.

Maximizing Efficiency with Telecom Racks: A

In the ever-advancing telecommunications sector, having an organized, efficient, and



scalable infrastructure is crucial. At the heart of this

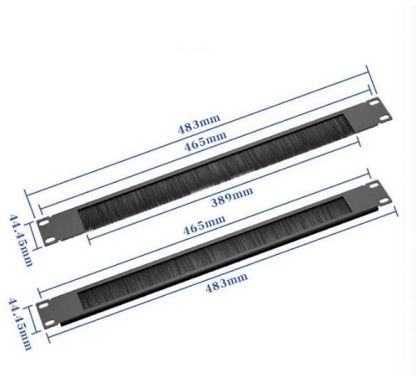


Telecom Enclosures , Racks & Cabinets for Network

That's where the right telecommunications enclosure makes all the difference. This guide explains what to look for in a telecom enclosure--whether

The Complete Guide to Server Racks: Functions,

As a core infrastructure component in data centers and telecom rooms, it houses critical devices such as servers, routers, and switches, enabling



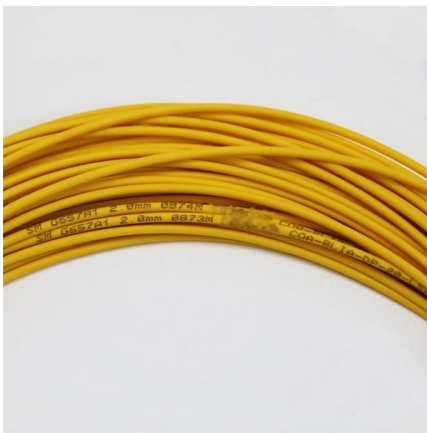
Types of Server Racks: A Guide

Server racks come in different types with features like built-in cooling, security access, and power supply technology to suit various operational needs.



Network Cabinet Essentials: Organizing Your Network

1. What is a Network Cabinet? A Network Cabinet, often interchangeably called a server rack, is a physical frame or enclosure designed to



The Many Types Of Server Racks And Wire Enclosures

The Many Types Of Server Racks And Wire Enclosures Even when IT departments and data centers were in their infancy, proper housing and protection for servers

What type of rack do you need?

These may include water-resistant racks for damp environments, shockproof racks for mobile applications, or racks with custom features for unique needs. They



A comprehensive guide to telecom racks and cabinets

Also known as open racks or relay racks, these are open structures that provide support and organisation for network equipment. They consist of a



Understanding Server Racks: A Comprehensive Guide

Server racks are also called rack mounts, an essential feature in every electrical configuration, especially servers. This detailed article focuses on



The Ultimate Guide to IT Racks: Enhancing Your Data

Discover the essential role of IT racks in optimizing your Data Centre infrastructure with our comprehensive guide. Explore the different types, specifications, and



Server Racks: Everything You Need to Know , Eaton

Everything you need to know about server racks and how to buy one for your business. Our guide covers different types of server racks, their features, and





Server Racks 101: A Beginner's Guide to Data Center

Server racks play a pivotal role in data center cooling strategies. By organizing servers and other equipment efficiently, racks promote consistent

Types of Server Rack

What is a Server Rack? A server rack is specially designed to store various networking devices, which can effectively organize, manage, and protect



Data Center Equipment Basics: What Is a Server Rack?

Understanding the basics of server racks - their types, components, standards, and best practices - is essential for anyone involved in data center

Types of Racks in Data Centers: Rack, Shelf, Cabinet,

This is the best choice if a separate room for a server room cannot be allocated in the building. Several modules can be installed in these network



Understanding IT Racks: Types, Sizes, and Usage

Choosing the right rack type ensures optimal performance, cooling efficiency, and scalability. This article explores different types of IT racks, their



Data Center Racks, Cabinets, and Cages: An In-Depth Guide

Inside a data center, a labyrinth of servers and high-tech networking gear are arranged in specialized racks, secure cabinets,



Understanding Telecom Racks and Cabinets: The

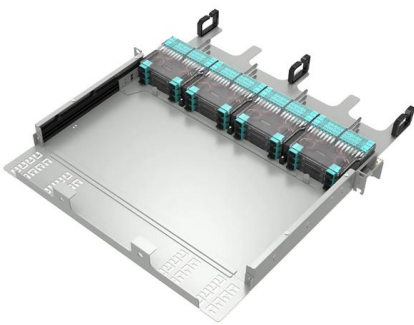
Learn everything about telecom racks and cabinets--types, functions, and applications in modern communication systems. Discover how to choose the





Types of Server Racks: A Guide

Data centres utilise various types of server racks to optimise and organise operations, from open frame racks to air-conditioned enclosures.



Server Rack Buying Guide: Everything You Need To Know

Choosing the right server rack is essential for your business's success. However, selecting a rack is be overwhelming if you're not sure where

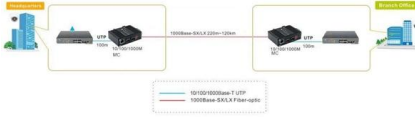
Differences Between Server, Network, & Data Racks & Cabinets

Server racks and cabinets, network racks and cabinets, data racks and cabinets, and more. There's an array of hardware to choose from when building out the data center infrastructure



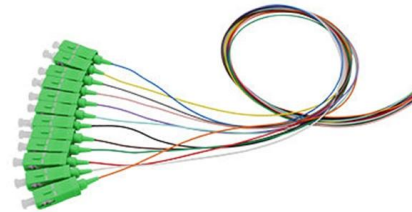
What is a telecommunication rack cabinet?

For telecommunication rack cabinet, the dimensions are standardized, with the aim that any equipment that we install (switches, routers, NAS servers, UPS) are compatible and we do not



Server Rack: Types, Features, and How to Choose the

Below are the most common server rack types along with their ideal use cases and key characteristics: 1. Open Frame Server Rack. An open frame



Contact Us

For datasheets, pricing, or custom telecom energy solutions, please visit:
<https://koskolong.co.za>