



**Adam Tas Corridor Energy**

# **Where do fiber optic cable lines need to be labeled**





## Overview

---

TIA-606-C states that you need to label all fiber optic cables and pathways at both ends. Before printing labels for a single item, determine the information that each label requires. The American National Standards Institute and Telecommunications Industry Association (ANSI/TIA) 606-B standard establishes voluntary labeling and recordkeeping requirements for telecommunications infrastructure. This includes most types of IT environments including telephone companies, internet service providers, data centers, and more.



## Where do fiber optic cable lines need to be labeled

---

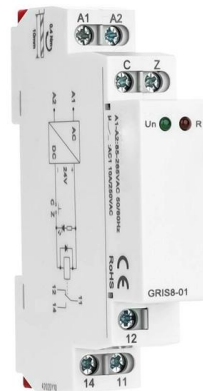


### Proper Cable Labeling Guidelines

As today's data centers are full of cables, the cable labeling work turns to be more difficult. The following will tell you how to improve labeling efficiency in your data center.

### Cable Identification System Best Practices for Fiber

Cable identification best practices for fiber optic networks: use TIA-606-B standards, durable labels, and thorough documentation for reliable



### 5 Vital Safety Rules for Fiber Optic Cables

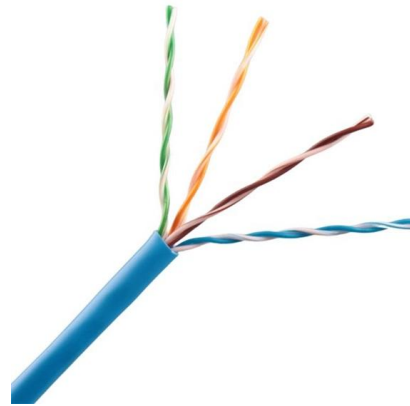
There are plenty of hazards to watch for when working on commercial and industrial networks. Fiber optic cable can seem safe; it doesn't carry an electrical charge, and it's not a heat

### Fiber Optic Cable Labeling Standards 2025 Compliance

Fiber optic cable labeling standards for 2025 require machine-generated, color-coded labels at



both ends to ensure compliance, safety, and easy identification.



## How to Label Fiber Optic Cables: A Complete Professional Guide

Labels should be placed 3-6 inches away from each endpoint and the text is oriented to read naturally facing the rack of equipment. For cable runs that are longer than 50 feet, label them at

## How to Label Fibre Optic Cables: A Complete Guide

Learn how to label fibre optic cables using flag labels, thermal printing, and Fibre Prøds for wrap-around options. Complete guide for data centre



## How to Label and Document Fiber Optic Cables

Learn why labeling and documenting fiber optic cables is crucial, how to do it with various methods and tools, and what are the best practices, benefits, and



## Simplified Guide on How to Label Fiber Optic Cables

Learn how to label fiber optic cables correctly using clear standards and practical workflows for enterprise and data centre environments. Understand what makes fibre labelling



## Boiling down the 606-A labeling standard , Cabling

Individual cables must be labeled at each end with the horizontal link identifier. [Click here to enlarge image.](#)

## Proper Cable Labeling Guidelines

Cable labeling is an essential work. Every cable you installed should be labeled. Because labeling can not only save you lots of time on



## How to Independently Identify Fiber Optic Cables on the

Identifying fiber optic cables on the street is an intriguing pursuit, but it requires attention to detail and a cautious approach. By observing their



### **ANSI/TIA-598-C Color Code and Cable Markings for**

Conclusion The ANSI/TIA-598-C color code and cable markings system is a standardized method for organizing, identifying, and labeling fibers in



### **ANSI TIA 606-B Cable Labeling Standards**

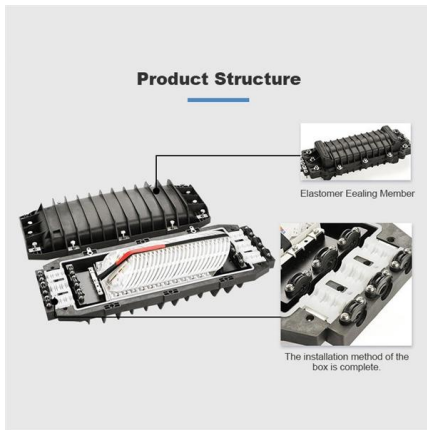
Pervasive - All cables should be labeled at both ends to ensure anyone who comes in to the facility will be able to get the information they need able



### **Optical Fiber , Optical Fiber Products , Corning**

Optical fiber broadband brings together a culture of innovation, quality, and manufacturing excellence to create life-changing products.





## Fiber Optic Cable Labeling Standards 2025 Compliance

You need machine-generated, durable, and compliant labels that meet TIA-606-C standards. Upgrading to smarter physical and digital labeling can help

## How to Label Fibre Optic Cables: A Complete Guide

Fibre optic cables contain fragile glass or plastic cores that can be damaged by excessive pressure. Labels must be applied without stressing the



## The NEC and Optical Fiber Cable and Raceway Rules

For example, subsection 770.113 refers to 300.22, which applies when installing optical fiber cables and optical fiber raceways in ducts and plenum

## Inside the New York 'Hotels' Where the Internet Lives

Fiber optic cables are fitted to a server, replacing slower copper cabling. Copper is still prevalent in many data centers but fiber



## Fiber Optic Cable Label: A Tool For Efficient

And fiber optic cable labels has become an important tool to ensure network visualization and maintenance efficiency. It can endow every optical fiber



## Do You Need a Modem for Fiber Internet?

Unsure if you need a modem for fiber internet? Here's everything you need to know to ensure you get the right equipment for your fiber-optic connection.



## Types of Electrical Wires and Cables

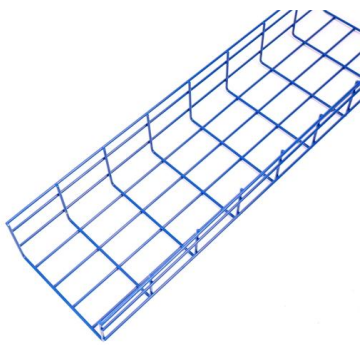
Not only the electrical sector uses cables and wires for power transmission and distribution to our house and industries, the Telecom sector also relies on various





## Proper Cable Labeling Guidelines

Proper Cable Labeling Guidelines Cable labeling is an essential work. Every cable you installed should be labeled. Because labeling can not only save you lots of time on troubleshooting but also can save

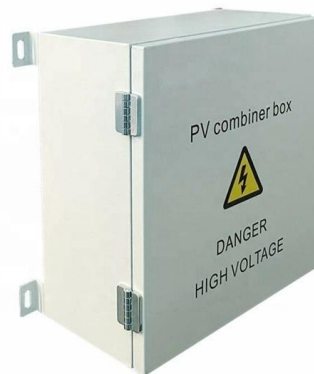


## ANSI/TIA-598-C Color Code and Cable Markings for

Here, we'll break down the fiber color codes, cable markings, and how they apply to fiber optic installations, helping professionals follow best practices

## Cable Label Standards , Express

Each cable and each pathway must be labeled on each end, and each label should identify the termination points of both ends of the cable. Labels



## ANSI TIA 606-B Cable Labeling Standards

Each cable and each pathway must be labeled on each end, and each label should identify the termination points of both ends of the cable. All labels



## Complete Guide on Fiber Optic Color Code , Network

Learn the fiber optic color code system, its importance, and how to correctly identify wires for easy and efficient installations in this complete guide.



## FOA Standard For Installing Fiber Optic Cable Plants

Before the fiber optic cable plant can be installed, construction may be needed to provide the infrastructure in which the fiber optic cables will be installed.



## The FOA Reference For Fiber Optics

The Optical Time Domain Reflectometer (OTDR) is useful for testing the integrity of fiber optic cables. It can verify splice loss, measure length and find faults.





## Contact Us

---

For datasheets, pricing, or custom telecom energy solutions, please visit:  
<https://koskolong.co.za>