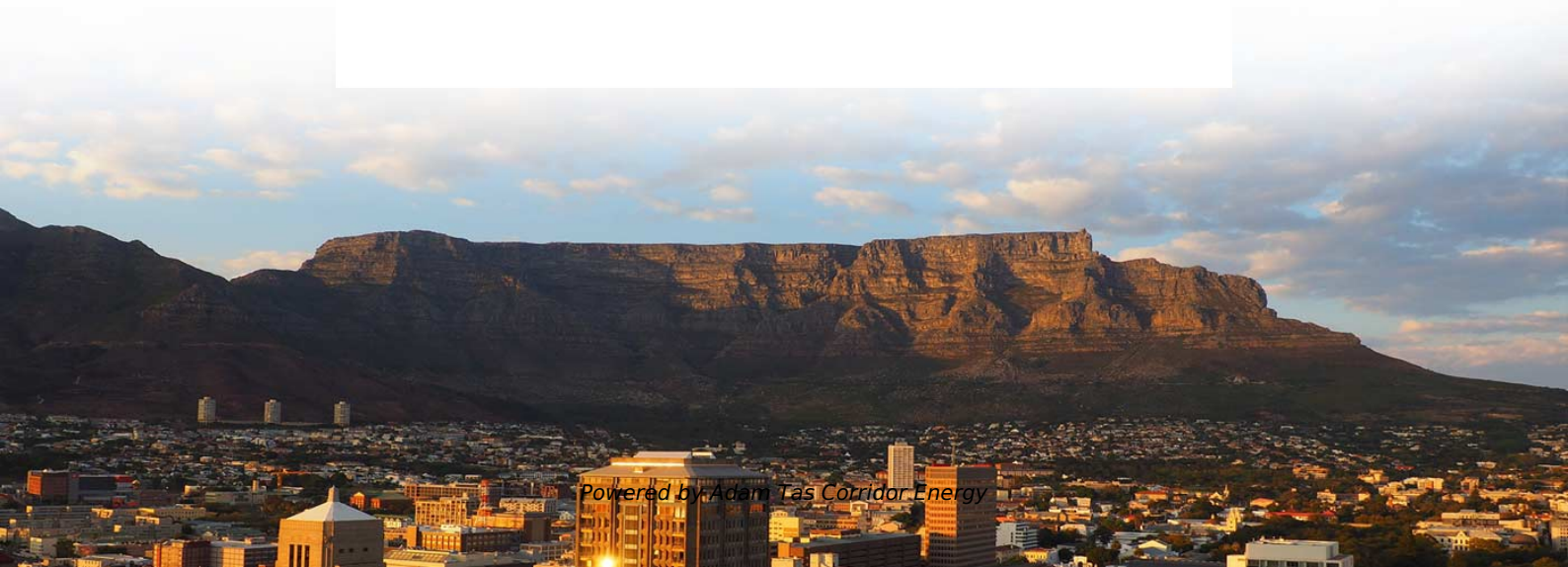




**Adam Tas Corridor Energy**

# **Where to install the micro-module computer room control box**





## Where to install the micro-module computer room control box

---

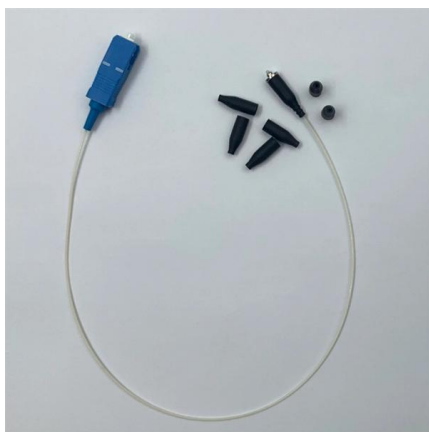
### MicroLogicX Control Unit: Purchasing and Installing a



Follow this procedure to install a purchased Digital Module on a MicroLogic X control unit. Use the USB cable with part number LV850067SP to connect a PC running

### Intelligent Micro-Module Data Center Overview , PDF

The document describes three intelligent micro-module data center solutions: Fit Atom single cabinet, Fit Array single-row, and Fit Atrix double-row. Fit Atom is a



### Administration Guide

The guide primarily addresses capabilities and configurations for devices registered to an on-premises service (CUCM, VCS), but most capabilities and configurations also apply to devices that are

### Wiser Micro Module Switch

When the module is connected to a mechanical push button, the connected devices can be controlled manually by short pressing the push



button. NOTE: When the module is installed inside the wall box,



### **SIMATIC Microbox PC 427B**

A maximum of one CP 1616/1604 module can be installed in one PG/PC. If you want to use an additional CP 1616/1604 module, the CP 1616 onboard option must be disabled via the entry "Onboard

### **Quick Start , Q-SYS UC Compute Bundle for Microsoft Teams Rooms**

To add Q-SYS customizable room controls to the Q-SYS MTR Compute device, follow the instructions in the Q-SYS Control for Microsoft Teams Rooms Application Guide.



### **Installing Computer Memory**

Installing Computer Memory Installing memory modules is straightforward. Most recent motherboards automatically detect installed memory modules regardless



## mCAN.4.ci-BOX

The mCAN.4.ci-BOX is a robust field module for counting digital signals and for frequency measurement via the CANbus. Every module can handle up to 4 input signals.



## Microbox 420-RTX

To find the SIMATIC manuals, select the Start > Simatic > Documentation menu command from the Start menu of the computer where the SIMATIC software is installed. The WinAC RTX

## AURIX Training Micro Second Channel

Each interface can send command and data frames to the power device. > Downstream channel can be used to send information to the power device. Data frames can be sent out in repetition mode with



## Device user guide

Tap Devices > Micromodule Switch > Location (A) to assign the puck to an existing room or a new room (B) and tap Submit. TIP: If the device is already assigned, you can remove it from the existing room.



## Administrator guide

Administrator guide for Cisco Webex Room Kit Mini Thank you for choosing Cisco! Your Cisco product has been designed to give you many years of safe, reliable operation. This part of the product



## Cisco Room Series

Cisco Spark Room Kit Series - Some links below may open a new browser window to display the document you selected.



## ABB KNX solutions for hotel applications

From a logic of individual devices to a system-based logic KNX is the worldwide standard for Home & Building Automation, effectively usable in all types of buildings with multiple advantages. In particular,





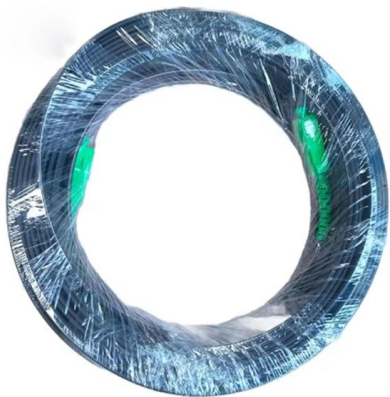
## CN 4100 Communication System

It results from the components (rack, CPU modules and communication modules) plugged into each other. There should be at least 100 mm of space in front of the module front panel.



## Micro-module Data Center -Outdoor Cabinet & Sever

Application: The micro-module data center is designed to deal with the changes of cloud computing, virtualization, centralization, high density and other servers,



## Cetetherm Micro Manuals , ManualsLib

Cetetherm Micro Pdf User Manuals. View online or download Cetetherm Micro Installation, Service And Operating Instruction

## Installer un micromodule pour la gestion de son éclairage

Pour profiter d'une gestion connectée de certains circuits du logement, il est possible d'installer des micromodules. Zoom sur la mise en place



## MicroLogicX Control Unit: Purchasing and Installing a

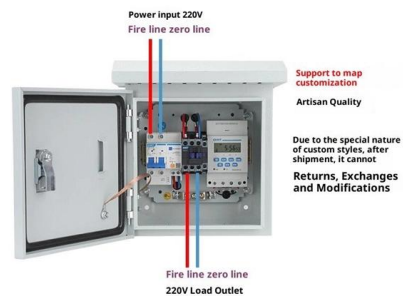
The MicroLogic X control unit identification number The commercial reference of the Digital Module to be purchased. The email address to receive the Installer email



## 11-Step Guide to Setting Up a Control Room in 2026

Set up a high-performance control room with our complete 11-step guide. From planning to installation, learn how to create an efficient, reliable

### Product Wiring Diagram



## 19-inch rack

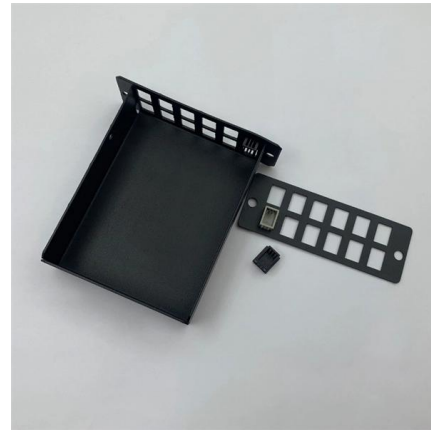
This permits very easy server installation and removal since there is no need for the server to be held in midair while someone fastens each rail to the sides of the





## SIMATIC Microbox PC 420

All devices and tools must be free of static charge. Always pull the mains connector and disconnect the battery before installing or removing modules which are sensitive to ESD. Handle modules fitted with



## SC815-1U-Chassis

The box your chassis was shipped in should include two sets of rail assemblies, two rail mounting brackets and the mounting screws you will need to install the system into the rack.

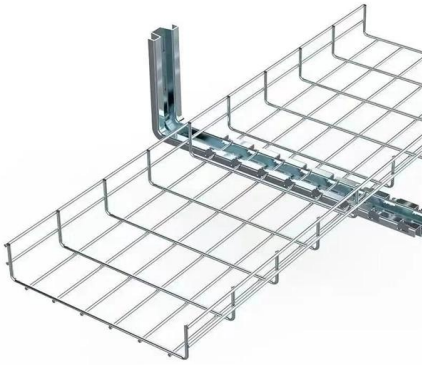
## Control Board

At the moment we have a series of 3 Stepper motors connected to 3 Polulu modules via a break outboard to an Arduino. This system uses Gerbel on the Arduino for the firmware.



## Control Room Solutions

A Control Room is the center of your organization's operations. With an efficient structure, a control room enables you to plan, manage, analyze, and even recover day-to-day activities. Black Box® can



## Contact Us

---

For datasheets, pricing, or custom telecom energy solutions, please visit:  
<https://koskolong.co.za>