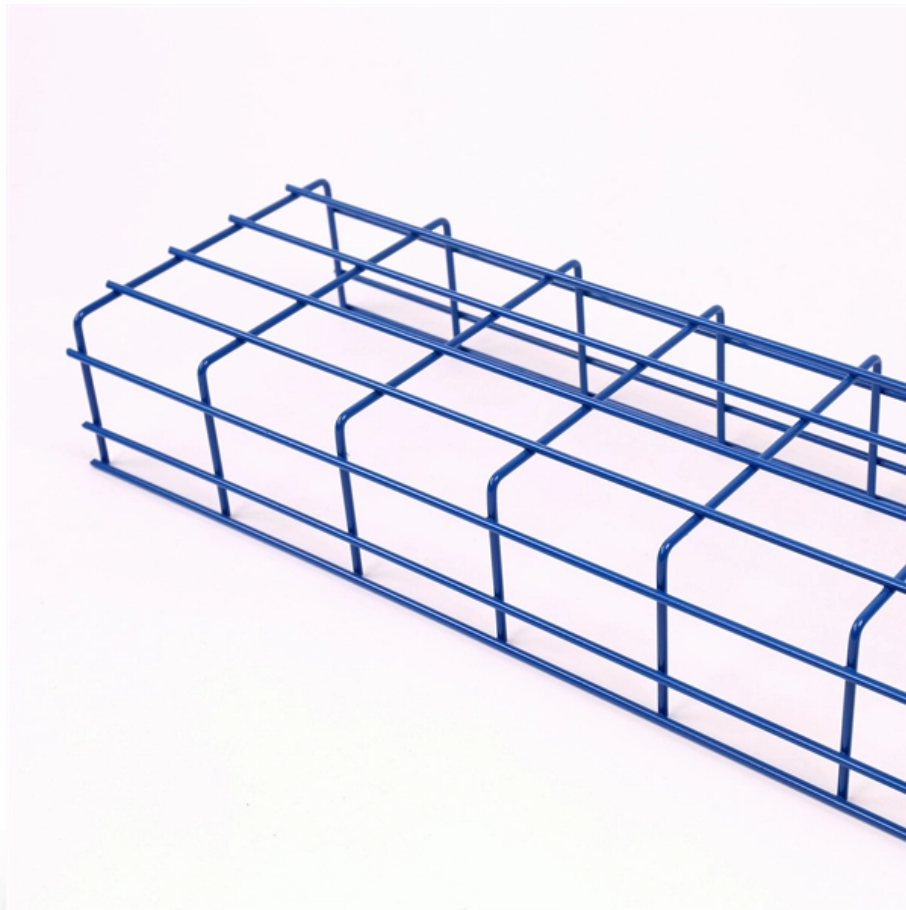




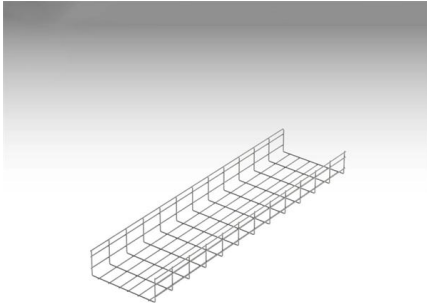
Adam Tas Corridor Energy

Which company makes the best seismic bracing for cable trays in Malta





Which company makes the best seismic bracing for cable trays in M



Grid Cable for marine and offshore applications

Seismic and cable tray solution flyer

Eaton's B-Line series cable tray with TOLCO seismic bracing is the recommended total solution for your project. Our cable tray, bolted framing, and seismic bracing are approved as one system through

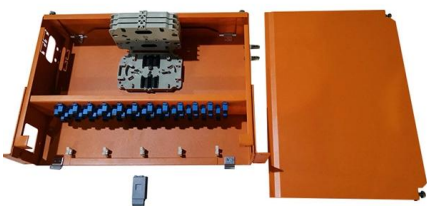
SEISMIC BRACING OF A DISTRIBUTED CABLE TRAY SYSTEM

An innovative bracing system was designed to provide lateral bracing for the cable tray system. The bracing system was designed to meet building code requirements in addition to the owner's design



Cable bracing , Sway bracing , Tolco , Eaton

For over 60 years, Eaton has manufactured TOLCO seismic bracing and B-Line series cable tray, strut systems, pipe hangers and more that support electrical, mechanical, plumbing, and fire protection

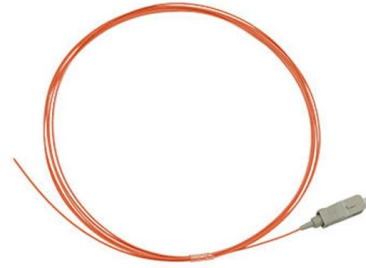


Seismic Bracing Systems for Cable Trays Catalog

Explore seismic bracing solutions for cable trays. Catalog details wire rope/cable systems, specs,



design for earthquake protection.



UNISTRUT Seismic Bracing Solutions

UNISTRUT Seismic Bracing Solutions contractors, Specifiers, and others. We have decades of experience with real-world applications in severe seismic zones, supplying world-class products and solutions.



Seismic Solutions

It offers helpful video tutorials for our products, such as choosing the right material, the different types of, and working with cable tray, mesh and ladder, general strut use, and managing pipework with



Seismic Cable Restraint Kits

The Easy ex EFSCK Series Seismic Cable Restraint Kits are engineered to secure suspended non-structural components--such as ductwork, piping, conduit, cable trays, and HVAC



Cable Trays Seismic Design: Protecting Power in Quake

Learn how I approach Cable Trays Seismic Design to protect power and data in earthquake-prone areas. Understand key principles, methods, and



SOLUTIONS

Engineer certified designs and site inspections Ezystrut offers a range of seismic solutions that comply with Australian Standard AS1170.4. Our one-stop solution for seismic bracing, cable tray, pipe

Seismic analysis and design of electrical cable trays and support

The design aspects of electrical cable trays and support systems are discussed from the seismic and structural standpoint. The effects of the inherent flexibility of commonly used cable trays



Seismic Proof Systems

This typically includes: pipe and duct bracing, fan coil unit bracing, cable tray bracing, floor mounted components, light fitting details. This document covers the rules of



Seismic Bracing Solutions for Data Center

From design to construction to inspection, we keep our process transparent to ensure a full understanding of the final bracing installation, whether it requires cable or rigid bracing solutions.



Seismic Bracing & Force Protection , Gripple

Gripple Seismic Bracing systems are specifically designed and engineered to brace and secure suspended non-structural equipment (VAV boxes, fans, unit heaters, small in-line pumps, etc.) and

Seismic Bracing Ensures Stability and Safety of Cable

Seismic bracing, typically made of high-strength metal, is key component specifically designed to enhance the stability and safety of cable tray systems during





Seismic cable bracing solution brochure

Along with reliable, quality products that deliver lower total installed cost, Eaton provides pre-engineered details for lateral and longitudinal bracing of cable tray, single hung systems, and more.

Seismic Bracing Systems

Seismic bracing systems, are developed to prevent possible damages in the building installation, especially during natural disasters

Waterproof and dustproof, reliable and safe

The outer classic sink design allows the sealing ring of the cabinet and door to be seamlessly compressed without leaving a trace of gaps



Performance-based optimum seismic design of cable tray system

The seismic performance levels of cable tray systems are presented according to current seismic design codes. A performance-based optimum seismic design procedure for cable tray

UNISTRUT Seismic Bracing Solutions

UNISTRUT Seismic Bracing Solutions Unistrut is a global leader in seismic bracing solutions and is a go-to resource for Engineers, Contractors, Specifiers, and others. We have decades of experience



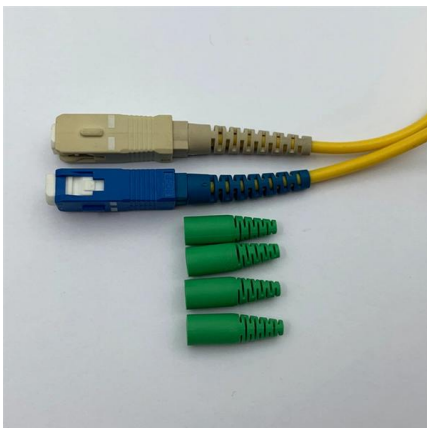
Services

Gripple seismic bracing systems are specifically designed and engineered to brace and secure suspended non-structural equipment (VAV boxes, fans, unit heaters, small in-line pumps, etc.) and



Seismic Bracing Cables & Hangers , Gripple

We offer a pre-engineered, time-saving solution which braces and secures non-structural equipment within a building to minimize damage from earthquakes or



Understanding the Seismic Resistance of Cable Trays

This article will explore the importance of seismic resistance in cable trays, discuss when seismic braces are necessary, and help you understand how



Seismic MEP Solutions , Eaton

Eaton's TOLCO seismic bracing solutions help protect people and non-structural components during an earthquake. For over 60 years, the mechanical, electrical, and fire protection trades have relied on



Seismic Bracing Installation Best Practices: Strut

In part two of nVent CADDY's three part video series on different seismic bracing attachments, learn more about the best practices and benefits of

Performance-based optimum seismic design of cable tray system

A performance-based optimum seismic design procedure for cable tray systems is given and verified by three studied cases.



MPO-MPO Low Smoke Halogen Free Sheath

Multimode 10 Gigabit 12 pole OM4

Insertion loss <0.35dB Return loss >50dB



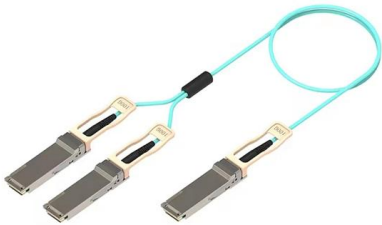
Seismic Bracing Systems for Cable Trays Catalog

All our seismic Wire Rope/Cable(TM) bracing, complies with model building codes, and installs in just one-third the time needed for more conventional pipe, angle, and



Seismic Bracing Installation Best Practices: Pipe

Seismic Bracing Installation Best Practices: Pipe Bracing for Trapeze Applications In the final blog of the seismic bracing video series, see how rigid



Blitz Systems , Cable Tray Installation Made Easy

Blitz Systems - Cable Tray Solutions That Works
Welcome to Blitz Systems, your trusted partner in delivering high-quality, efficient, and cost-effective cable tray

Contact Us

For datasheets, pricing, or custom telecom energy solutions, please visit:
<https://koskolong.co.za>