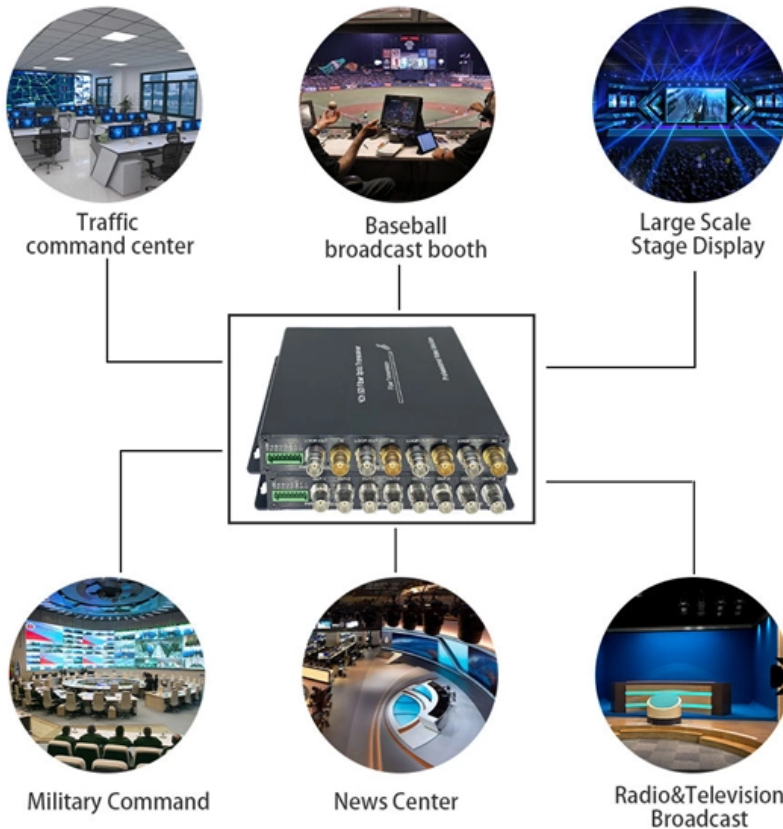




Which type of cold aisle server rack is best in El Salvador





Overview

For a data center with fewer servers, a cold aisle containment system might be a more suitable and cost-effective option.



Which type of cold aisle server rack is best in El Salvador



Hot Aisle vs. Cold Aisle Containment for Data Centers

Hot or cold containment is a form of layout for server racks and other equipment used by IT in a data center for cooling purposes. Let's take a closer

Comprehensive Guide to Server Rack Cooling

Advanced techniques like cold aisle containment, in-rack cooling, and self-contained units offer greater efficiency and protection in demanding environments. Good cable management, rack



Server Rack Cooling Systems for Modern Data Centers

Learn proven best practices for cooling server racks to prevent overheating, protect IT hardware, and keep your data center running efficiently.

Common Server Rack Configurations Explained , AMCO

How do you arrange server racks to maximize performance while minimizing costs? The



configuration you choose directly impacts cooling efficiency, space utilization,

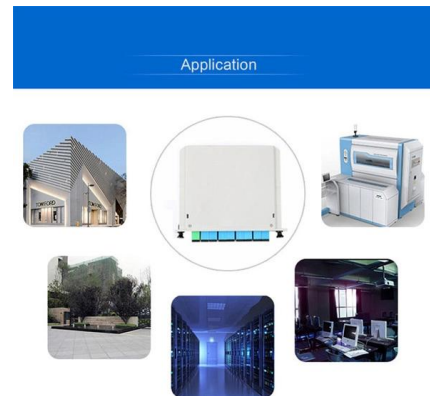


Data Centre Cooling: Hot Aisle and Cold Aisle Design

Data Centre Cooling: Hot Aisle and Cold Aisle Design Data centres have become an integral part of today's technological landscape, used to store, process and

Chapter 4 Cold Aisle Containment

Cold Aisle Containment One of the objectives of an effective air flow management scheme is to minimize hot and cold air mixing. Appropriate arrangement of racks, such as hot-aisle-cold-aisle (HACA)



Move to a Hot Aisle/Cold Aisle Layout

A Time-tested Technique The hot aisle /cold aisle data center layout was originated by IBM in 1992 and it is one of the oldest ways to save energy in the data center.



Cold & Hot Aisle Containment For Data Center Efficiency

Cold aisle and hot aisle containment systems have emerged as essential strategies in modern data center airflow management. While these



Hot/Cold Aisle Containment , AZE

The goal of a hot or cold aisle configuration is to conserve energy and lower cooling costs by managing air flow signing the proper containment system requires

A Guide to Hot and Cold Aisle Containment for Optimizing Server

Racks should be arranged so that the front sides (intake side) of the racks face each other, forming a cold aisle. Conversely, the back sides (exhaust side) of the racks should face each other to form a



52U Server Rack Enclosure , Cold Aisle Containment , Data Center IT

The aisle containment system improves cooling efficiency in hot aisle/cold aisle rack configurations by essentially creating a room within the aisle and keeping hot and cold air separated to make existing



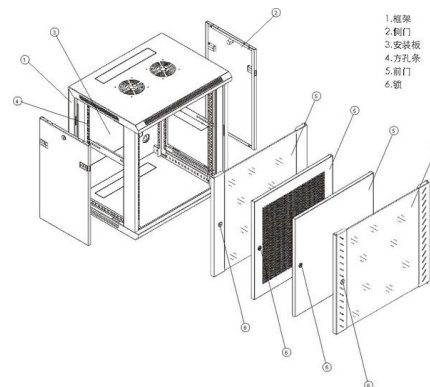
Modular Cold Aisle Containment w/ 45U Server

AZE offers smart modular customizable hot and cold aisle containment solutions with 42U to 52U floor standing server rack enclosures. Save energy, reduce hotspots



Hot Aisle/Cold Aisle

Hot aisle/cold aisle is a data center cooling strategy that involves organizing server racks in a specific configuration to optimize airflow and temperature consistency. This layout arranges



Cold Aisle Containment , Legrand

Cold aisle containment creates an enclosed corridor in front of server cabinets, ensuring that the coldest air goes directly into equipment intakes. By isolating the cold aisle, containment reduces unintended



Data Center Hot Aisle/Cold Aisle Layout Design

Data Center Hot Aisle/Cold Aisle Layout Design
Looking for ways to keep your Data Center Server Room cool? Consider the hot aisle/cold aisle



Explore hot and cold aisle containment for your data center

Hot and cold aisle containment can help you maintain the best air flow, temperature and humidity in the data center to keep servers running efficiently.



The Advantages And Disadvantages Of Hot-Aisle, Cold

But there are some disadvantages to cold-aisle containment. Allowing the discharge air from the hot aisle to fill the room results in temperatures

The Basics of Hot Aisle, Cold Aisle Data Center Configurations

Though hot aisle, cold aisle configurations have a number of variations, at their most simplest it consists of server racks in rows with cold air intakes facing one way and hot air exhausts

Pre-Terminated Patch Panel

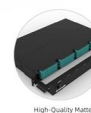
- Standard 19" width
- Max 144 fibers in 1U
- MPO/Fusion Dual-Purpose



Removable Cable Management Tray



Transparent Front Cover



High-Quality Matte Coated Steel



Server Housing Rack Data Center Aisle Hot / Cold



BOLEIN Server Housing Rack is modular, with a cold channel system as well as fire linkage. It can provide a safe and reliable application.

dataracks

Products Modular Security Cages Aisle Containment Racks & Cabinets Cabinet Accessories Wallboxes Retrofit Solutions Electromechanical



Aisle containment system buying guide

Discover the key factors to consider when choosing a hot aisle/cold aisle containment system. This buying guide will help you understand the features of an aisle containment system, learn the

Cold Aisle Containment

Product Description Aisle containment in the data center requires that cabinets are aligned in a hot aisle/cold aisle layout. Containment panels or strips create a



Top Methods for Efficient Server Rack Cooling

This guide of gbc engineers explores the fundamentals of server rack cooling, and innovative technologies shaping the future of cooling infrastructure.

Comprehensive Guide to Server Rack Cooling

Learn how server rack cooling prevents overheating, boosts performance, and ensures reliability with expert tips and advanced solutions.



8-Port PLC Fiber Splitter Box

12-Port SC Fiber Splitter Box

Size: 235*215*75mm
Material: ABS, IP65,



Effective Hot and Cold Aisle Containment for Modern

The layout of a containment system in your server room will depend on the way your system functions and there're a few ways the installation of a cold or



Data Center Cooling Best Practices: Choosing the Right

Implementing the right data center cooling methods, choosing efficient data center cooling system types, and following proven server rack cooling best



Common Server Rack Configurations Explained , AMCO

Hot Aisle/Cold Aisle Configuration. This arrangement places server racks in alternating rows where equipment fronts face each other to form cold aisles, while

Maximizing Data Center Efficiency: Technical Impacts of

2. What Is Hot Aisle/Cold Aisle Configuration?
This layout organizes server racks into alternating rows: Cold Aisles: Fronts of racks face each other.



What is hot/cold aisle in data centre

Hot/cold aisle is a layout design for server racks in a data center. The goal of it is to increase the effectiveness of cooling system by managing air flow



Hot and Cold Aisle Containment: What You Need to Know

Hot aisle containment systems isolate the hot aisle using a similar enclosure system to that of a cold aisle with a sealed door for access. This



Optimizing Data Center Cooling for Energy Efficiency

Aisle containment strategies, specifically hot aisle containment (HAC) and cold aisle containment (CAC), have become essential for separating hot and

Data Center Hot and Cold Aisle: A Quick Guide

A data center hot and cold aisle is a strategic layout for organizing server racks to manage airflow and enhance cooling efficiency.





Top Methods for Efficient Server Rack Cooling

Effectively cooling server racks is not just about installing fans or air conditioners--it's about designing a strategic, proactive system that ensures your

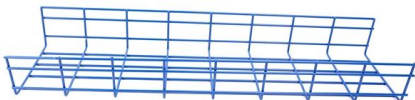
AshwinD24's gists · GitHub

GitHub Gist: star and fork AshwinD24's gists by creating an account on GitHub.



cold aisle containment , Eziblank

Cold aisle containment is a highly effective strategy for improving the efficiency and performance of data centre cooling systems. This approach involves physically separating the cold air used for cooling



Contact Us

For datasheets, pricing, or custom telecom energy solutions, please visit:
<https://koskolong.co.za>