



**Adam Tas Corridor Energy**

# **Why are pigtails not used for fiber optic cores**





## Overview

---

Pigtails are fiber optic cables that have a fiber optic connector on one end and a fiber optic core break on the other end. By combining factory-installed connectors with spliced bare fiber, pigtails ensure that network installers can create. Get the wrong connector type, the wrong polish, or skip proper fusion splicing technique—and you're looking at elevated signal loss, increased back reflection, and a. Fiber pigtails are typically shorter and are used for short-distance connections between fiber optic devices.



## Why are pigtailed not used for fiber optic cores

---

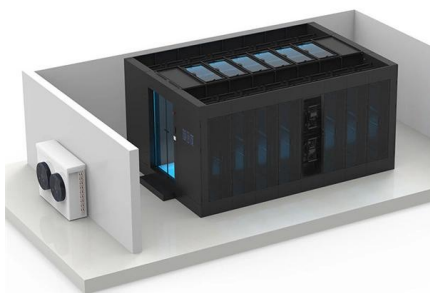
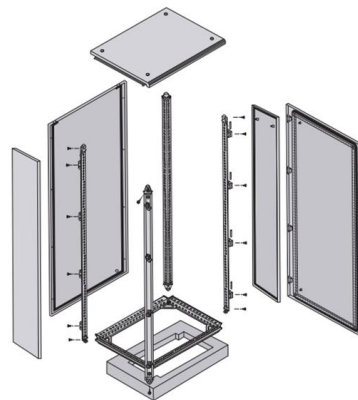


### What Are Fiber Optic Pigtails? Types, Uses, and How to Choose the

If you're working with modern network infrastructure, understanding fiber optic pigtailed is essential. These small but critical components play a major role in ensuring reliable, high-speed data

### Fiber Optic Pigtail: The Backbone of Your Network

One of the most fundamental distinctions between fiber optic pigtailed is the type of fiber they use: single-mode or multi-mode. Single-mode pigtailed use a



### The difference between pigtailed and patch cords

When it comes to fiber optic products, it's essential to differentiate between patch cords and pigtailed as they serve distinct purposes in optical communication

### AshwinD24's gists · GitHub

GitHub Gist: star and fork AshwinD24's gists by creating an account on GitHub.



## Guide to Fiber Optic Pigtails: Introduction, Applications

Fiber optic pigtails are a cornerstone in the architecture of modern communication systems. Their role, although often understated, is critical in

### Pigtail fiber characteristics

Only one end of the pigtail has a connector, and the other end is a broken end of the fiber optic cable core. After fusion, it can be connected to other



- IP65/IP55 OUTDOOR CABINET
- ALUMINUM
- OUTDOOR ENERGY STORAGE CABINET
- OUTDOOR EQUIPMENT CABINET

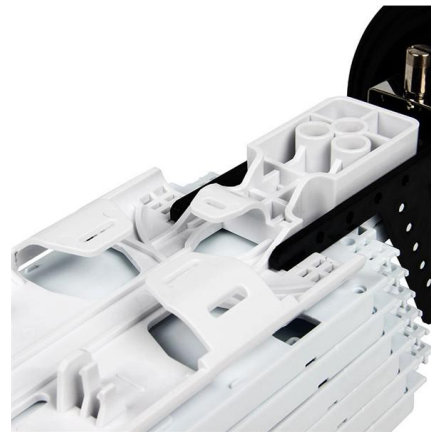
## Comprehensive Guide to Fiber Optic Pigtails , Gezhi Photonics

Understanding Fiber Optic Pigtails: Key Specifications, Classifications and Splicing Methods Modern networking operations are characterized by the demand for high-speed, high



## What is a Fiber Optic Pigtail, and What Is It Used For?

Discover the essentials of fiber optic pigtails, including types, uses, and installation procedures to ensure smooth network operations in data and



## Understanding Fiber Optic Pigtails: Types and

Fiber Optic Pigtails are favored for their low insertion loss, high return loss, good interchangeability, and repeatability, making them very convenient to

## Pigtails, why are they essential in fiber optic installations?

But what exactly is a pigtail and why do you use it? In this article, we explain why they are important and which pigtail connector you should choose, with a focus



## The Complete Guide to Pigtail Fibers: Simplifying

Single-Mode (SM) Pigtails: For long-haul ( $\geq 10$ km) telecom or hyperscale data centers.  
Specialty Pigtails: Bend-insensitive (G.657), polarization



## Beginner's Guide: Fiber Pigtails & Their Importance

They are essential components used for cable termination, simplifying the process of mechanical or fusion splicing during fiber optic cable installation. This blog will



## Fiber Optic Pigtail Meaning: What is it and How to

Fiber optic pigtail is an unbuffered optical fiber that has one end terminated with a fiber optic connector and the other end for splicing.

## Fiber Optic Pigtails: Uses & Differences from Patch Cords

Without pigtails, every termination in an ODF, terminal box, or splice closure would require field-installed connectors--an approach that is both time



IP65/IP55 OUTDOOR CABINET

OUTDOOR CABINET WITH AIR CONDITIONER

OUTDOOR ENERGY STORAGE CABINET

19 INCH



## Fiber Optic Pigtail: The Complete Guide to Types, Splicing Methods

Confused about fiber optic pigtails--which connector type, which polish, fusion or mechanical splice? Our guide covers LC vs SC, APC vs UPC, splicing methods, and real-world use

### Fiber Cables & Fiber Pigtails

These cables come in various configurations, including simplex (one fiber), duplex (two fibers), or multi-fiber options like MTP / MPO cables. In contrast, fiber pigtails



### Fiber Optic Pigtails: Uses & Differences from Patch Cords

Understand fiber optic pigtails -- definition, types, and how they differ from patch cords. Learn why pigtails ensure reliable, low-loss fiber terminations.

### What is Fiber Pigtail? A Complete Guide for Beginners

Fiber optic pigtails have only one terminated connector on one side but bare fibers on another side. In contrast, the patch cords have two or more pre



### Fiber Optics Terminology Explained: Cable, Patch Cord

In optical communication, many terms are used interchangeably in daily conversations--sometimes correctly, sometimes not. For engineers, procurement teams, and data



### ?2026 in stock?dual-core duplex pigtail fiber optic cable

1688 purchases dual-core duplex pigtail, supports lc/sc/fc interface, om3/om4/os2 optical fiber type, in stock supplies data center, 5g base station special pigtail, price grids starting from 1.66



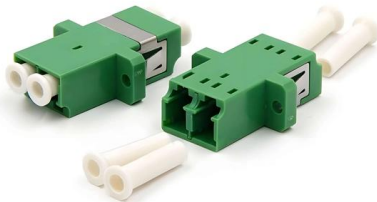
### Fiber Optic Pigtails Models and Selection Guide

Fiber optic pigtails are important components in fiber optic communication systems. They are used to fuse optical cables with equipment.



## Fiber Optic Pigtail: The Backbone of Your Network

The International Telecommunication Union (ITU) provides standards for optical fiber cables in harsh environments, highlighting the need for such



## CMU School of Computer Science

å 10 ä ,EURå ?ä , ? 10 ä ,EURç(TM)¾ 100  
ä ,EURç(TM)¾å? 100 ä ,EURå ? 1000 ä ,EURå  
?å? 1000 ä ,EURâ--<ä ,EUR 101  
ä ,EURç(TM)¾é>¶ä

## What is Fiber Pigtail? A Complete Guide for Beginners

Fiber optic pigtails are mainly for fast fusion splicing applications, while patch cords are for connectivity between optical transceivers, patch panels,



## What is a Fiber Optic Pigtail, and What Is It Used For?

Fiber-optic pigtails are used to connect fiber-optic cables using fusion or mechanical splicing. High-quality pigtail cables, combined with proper fusion





## The Ultimate Guide to Fiber Optic Cable Technology

Types of Fiber Optic Cable Fiber optic cables are not a one-size-fits-all solution. They are categorized based on various factors, primarily the way light



## A Guide to Understand Fiber Pigtail in 2024

Welcome to our comprehensive guide on fiber pigtails - the crucial components that play a significant role in modern telecommunications and

## Fiber-optic Pump Combiners

Pump combiners couple light into double-clad fibers of high-power fiber lasers and amplifiers, allowing the use of multiple pump sources.



## Contact Us

---

For datasheets, pricing, or custom telecom energy solutions, please visit:  
<https://koskolong.co.za>