



Adam Tas Corridor Energy

Zimbabwe Imported DWDM Modules Low Loss Wholesale





Zimbabwe Imported DWDM Modules Low Loss Wholesale

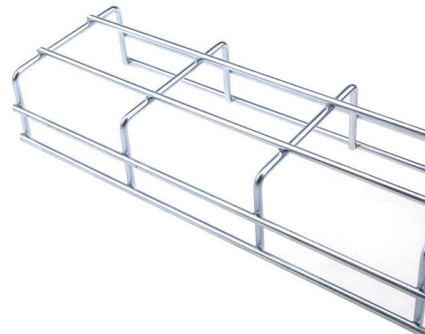


DWDM Technology/Module/Products for Sale, DWDM

PHXFIBER provides DWDM optical network with high quality and unique design. The DWDM price is reasonable and competitive for you. DWDM system complies with

PON_catalogue_eng.pdf

Fibrain DWDM series multiplexers are characterized by small sensitivity to external conditions, low insertion loss and high reflection losses. DWDM multiplexing allows transmitting up to 44 channels



DWDM Module, Dense Wavelength Division Multiplexer

GLSUN DWDM Module (dense wavelength division multiplexer) is an integrated optical module that multiplex and demultiplex multiple optical signals of different

Data Center, Enterprise & ISP Technology Solution

Providing scalable network technology solutions



for Data Centers, Enterprises & ISPs. Explore high-speed network solutions to build a reliable and scalable



How to implement low latency DWDM, cost-effectively

Dense wavelength division multiplexing (DWDM) is a multiplexing technology that creates parallel data channels over a common fibre by sending



Fiberdyne Labs, Inc. Dense Wavelength Division Multiplexer (DWDM) Modules

New York DWDM is a proven technology, which offers flat channel bandwidth, flexible channel configuration, low insertion loss and high isolation. Fiberdyne Labs modules can be optically daisy



Low Insertion Loss Low PDL

CWDM/DWDM +1310 100GHz LGX Module Single Fiber Description Passive CWDM, DWDM Mux/Demux, 1x8 CWDM +1310, 2 100 GHz DWDM Channels 43,46, single fiber, LGX, protocol



What is DWDM? A Beginner Guide (2023)

This article is a beginner guide to DWDM, including the DWDM definition, benefits, drawbacks, test method, and faq.



AWG/WDM/CWDM/DWDM - HighEasy Technology Inc.

AWG/WDM/CWDM/DWDM Products Features: HighEasy Coarse wavelength division multiplexer (CWDM Mux/Demux) utilizes thin film coating technology and

QSFP28 PAM4 DWDM: How to Extend 100G/400G Links Without Performance Loss

Learn how QSFP28 PAM4 DWDM technology can extend 100G/400G network links without performance loss. Discover practical strategies, deployment tips, and key considerations for



ACT/0005 5Q-factor

With both high power and an increasing number of optical channels, nonlinear effects can become problematic factors in DWDM systems. These analog effects can be divided in two categories - the



DWDM / Fiberwe Technologies Co., Ltd.

DWDM modules, OADM modules, either in 1U Rackmount or LGX Box. All DWDM products are with high quality and a low offered price.



DWDM Modules

DWDM Modules Optiworks' Dense Wavelength Division Multiplexer (DWDM) is based on Thin Film Filters and advanced packaging technology, manufactured as

China DWDM Manufacturers and Suppliers

We're one of leading dwdm manufacturers and suppliers in China. Source here the best customized dwdm wholesale direct from our factory.



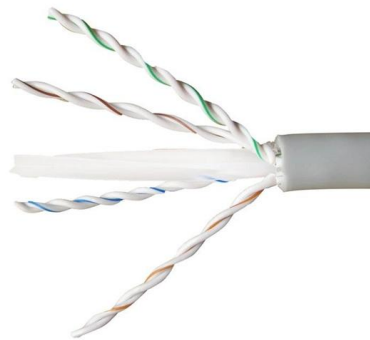


DWDM System Market Size, Share & Trends 2035

DWDM System Market Outlook 2025 to 2035 The dense wavelength division multiplexing (DWDM) system market is expected to grow immensely, with

DWDM Solution Guide

Dense Wavelength Division Multiplexing Solutions Guide Dense Wavelength Division Multiplexing (DWDM) Corning DWDM multiplexers and demultiplexers utilize advanced thin-film filter and



DWDM Single/Dual-Channel Add/Drop Module

Product Description Primanex single channel add/drop modules demonstrate low loss, temperature insensitivity, and reliable performance in any system application, and are available for ITU channel

High-Performance PM DWDM Module

Precision Performance: Our PM DWDM modules deliver low insertion loss and high return loss for seamless signal transmission. Flexible Configuration: Choose from 4, 8, or 16 channel setups



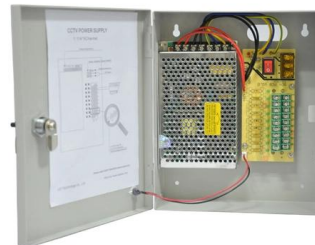
Wholesale Dwdm Mux Demux Low Loss Design , Alibaba

Explore our range of DWDM mux demux solutions. High-density, compact, and efficient. Perfect for optical networks. Shop our durable, reliable products today.



DWDM Mux Demux Solutions , Wholesale Factory Supplier

All DWDM modules are manufactured under controlled low-loss alignment



Ultra Low Loss WDM

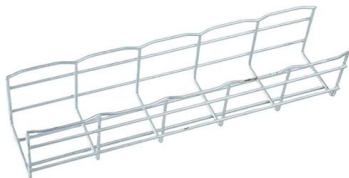
OptiWorks could provide low loss WDM based on patented technical method. WM1 module has a low insertion loss and has a wider passband ($\pm 0.15\text{nm}$), higher





Distributorship: Leading Wholesale Solar Distributors for

Sona Solar Zimbabwe provides premium Solar Panels, Lithium Batteries, Inverters, and complete Solar Systems for homes, businesses, and industries. We also



OptiWorks_Product Sheet_DWDM Modules_EN

Standard WDM DWDM Modules Key Features Low Insertion loss Standard ITU channel High channel isolation

DWDM Modules

The devices have a wide pass band, low insertion loss, high channel isolation and excellent environmental stability. Channel numbers can be as high as 40 (16) for 100 (200)GHz systems in C



DWDM Modules , OEM Optical Communication Solutions , Corning

By utilizing thin film technology in the development and manufacture of our DWDM products, we provide a wide range of solutions for 200 GHz, 100 GHz and 50 GHz ITU wavelength spacing applications.



What You Should Know About DWDM Tunable Optical

DWDM tunable optical modules offer flexibility, cost savings, and scalability by dynamically adjusting wavelengths for modern optical networks.



DWDM SFP

Designed for high-capacity, long-range transmission, these optical modules can reach speeds of up to 10Gbps and operating distances of up to 120km. At the same time, the DWDM optical module is

DWDM

Single channel The Dense Wavelength Division Multiplexer DWDM series is designed and manufactured to Telcordia standards and ITU standard. The





Dwdm for Sale, Wholesale Dwdm at Direct Price , Globalsources

Import quality Dwdm supplied by experienced manufacturing companies at Global Sources.

Contact Us

For datasheets, pricing, or custom telecom energy solutions, please visit:
<https://koskolong.co.za>